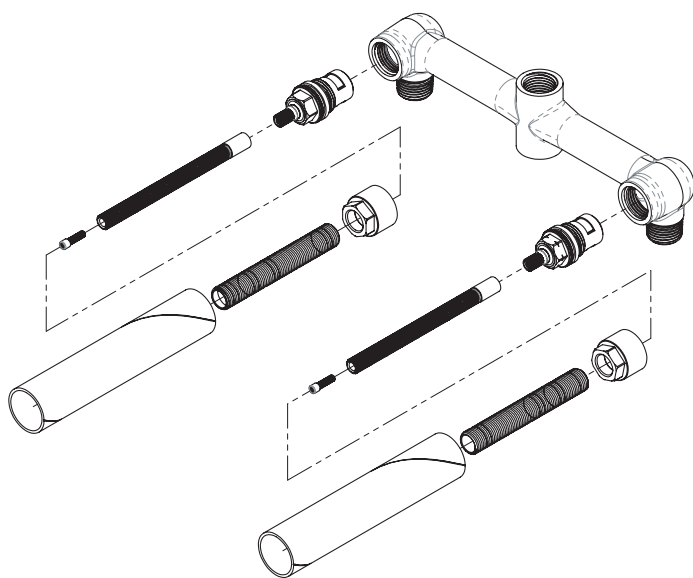


---

# PHYLTRICH®

Defining Luxury Since 1959



---

## INSTALLATION INSTRUCTIONS FOR

**8090536R** WALL SHOWER/ WALL TUB VALVE  
**8090536RNL** WALL LAVATORY SET VALVE

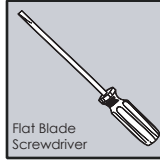
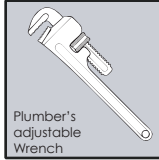
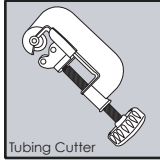
# INSTALLATION INSTRUCTIONS FOR

# PHYLIRICH®

Defining Luxury Since 1959

**8090536R** WALL SHOWER/ WALL TUB VALVE  
**8090536RNL** WALL LAVATORY SET VALVE

**RECOMMENDED TOOLS & MATERIALS** Most of the procedures require the use of common tools & materials, which are available from hardware & plumbing supply stores. It is essential that the tools and materials be on hand before work.



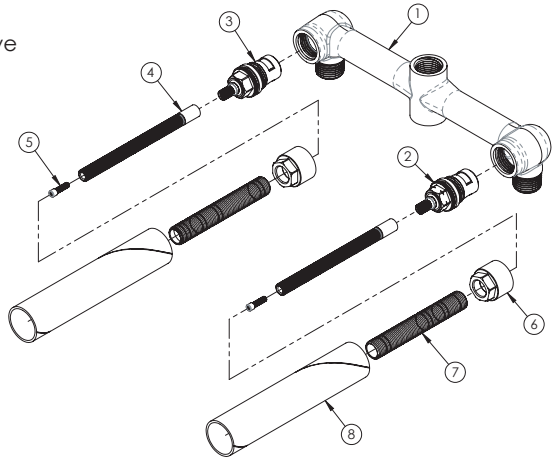
**WE RECOMMEND THAT ALL PLUMBING PRODUCTS BE INSTALLED BY LICENSED PROFESSIONAL**

## PARTS BREAKDOWN

### ■ 8090536R Wall Shower/ Wall Tub Valve

(If you have purchased the 8090536R Wall Shower / Wall Tub Valve)

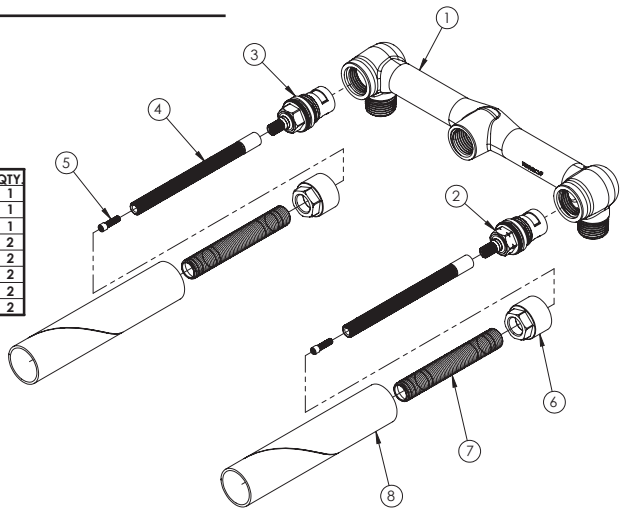
8090536R WALL SHOWER/WALL TUB VALVE			
#	PART #	DESCRIPTION	QTY
1	10107	VALVE BODY, TUBE-SHOWER VALVE	1
2	11540	CARTRIDGE 1/2" 20 PT HOT	1
3	11541	CARTRIDGE 1/2" 20 PT COLD	1
4	10054	STEM EXTENSION	2
5	92157	SCREW	2
6	11321	CARTRIDGE RETAINER NUT	2
7	10209	SHANK NIPPLE THREAD ALL	2
8	11648	MUD GUARD, CARDBOARD	2



### ■ 8090536RNL Wall Lav Set Valve

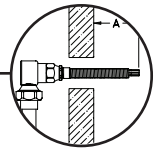
(If you have purchased the 8090536RNL Wall Lav Set valve)

8090536RNL WALL LAV SET VALVE			
#	PART #	DESCRIPTION	QTY
1	10106	VALVE BODY, LAV INWALL	1
2	11540	CARTRIDGE 1/2" 20 PT HOT	1
3	11541	CARTRIDGE 1/2" 20 PT COLD	1
4	10054	STEM EXTENSION	2
5	92157	SCREW	2
6	11321	CARTRIDGE RETAINER NUT	2
7	10209	SHANK NIPPLE THREAD ALL	2
8	11648	MUD GUARD, CARDBOARD	2



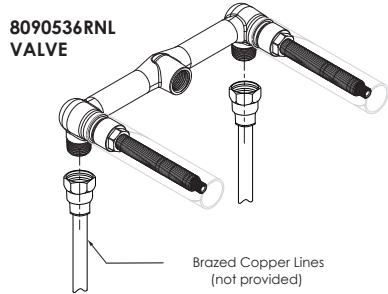
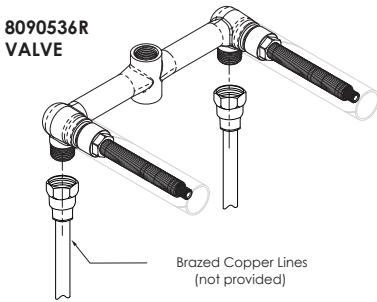
Before starting the installation determine first the **rough-in specs** to determine the proper location of the valve.

**See page 6 for rough-in specs**



## • PART 1 Connection of Copper tubing/lines

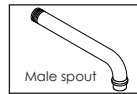
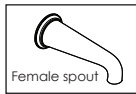
Once the proper location has been determined secure the **valve**. Connect the **Copper lines** to the hot and cold supplies. **NOTE: COPPER LINES NOT PROVIDED**



**Follow the direction for the continuation of the install guide:**  
 For Wall Lav go to **Part 2** ; For Tub Install go to **Part 3A** ; For Shower install go to **part 3B**

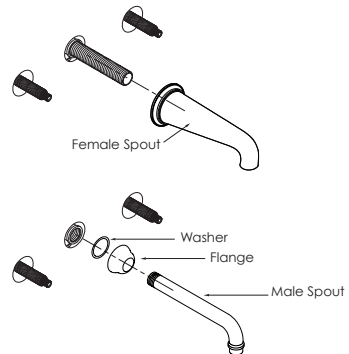
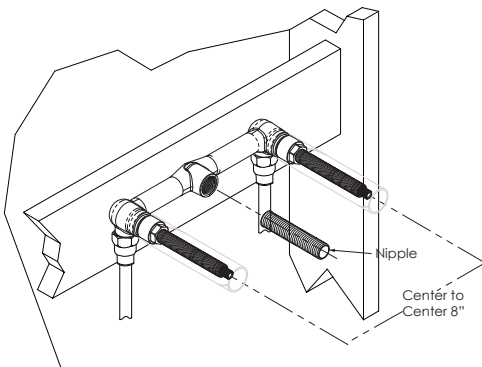
## • PART 2 Wall Lav Installation

Before installing, know first if you are installing a **female spout** or a **male spout**.



**For Female spout :** Determine the proper location for the **Wall lavatory Valve**. (**Note: The Wall tub valve must be a minimum of 2" above the floodplane of the tub.**) Install a **crossbeam** and connect a 1/2" brass **nipple** (not provided) to accept the spout. **Wall is ready to be closed.**

**For Male spout : (No need to attach nipple.)** Slide spout flange and rubber washer onto spout. Attach complete spout to the valve. **Wall is ready to be closed.**

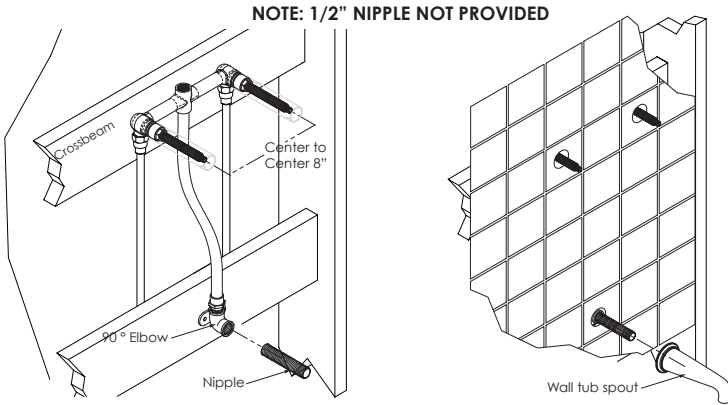


**NOTE:** Check all connections for leaks and flush all lines.

**PROCEED TO PART 4 (Escutcheons & Handles)**

### -PART 3A Tub Installation

Determine the proper location for the Tub spout. (**NOTE: the outlet of the spout must be minimum of 2" above the floodplane of the tub**). Install a crossbeam and secure a 1/2" brass 90° elbow. Connect elbow to the valve using copper lines. Connect a 1/2" brass nipple to elbow to accept the spout. **Wall is ready to be closed.**



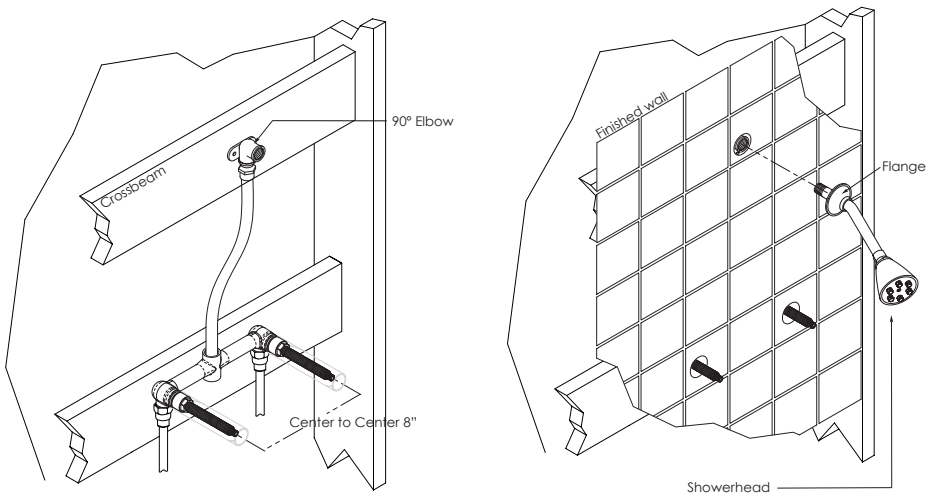
**NOTE:** Check all connections for leaks and flush all lines.

Once **finished wall** is installed, attach **Wall Tub Spout** to the brass nipple.

**PROCEED TO PART 4 (Escutcheons & Handles)**

### -PART 3B Wall Shower Installation

Determine the proper **location** of the showerhead. Install a **crossbeam** and secure a 1/2" brass 90° elbow. Connect elbow to the valve using copper lines. **Wall is ready to be closed.**



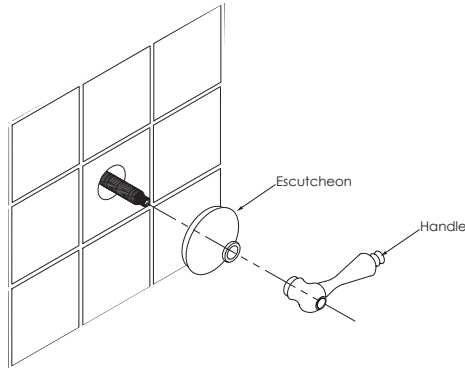
Once **finished wall** is installed, attach **Showerhead** to the brass elbow. Slide flange against wall.

**NOTE:** Check all connections for leaks and flush all lines.

**PROCEED TO PART 4 (Escutcheons & Handles)**

## -PART 4 (Escutcheons & Handles)

Once the **finished wall** is in place and the necessary installation finished, attach the **escutcheons and handles** to the stem assemblies.



Proceed to the next step on how to fix trimming issues if applicable.

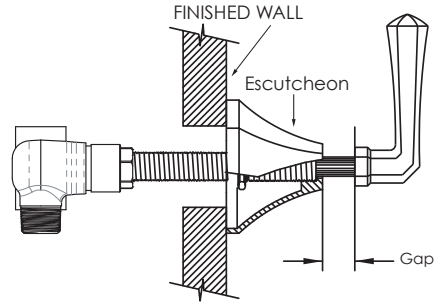
## -TRIM OUT

### INSTALLED TOO DEEP

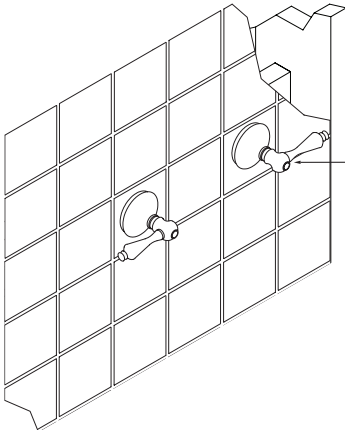
If the valve is **installed too deep** behind the wall, **extension stems** are available. Please contact your local distributor to order part number **2-289 6 1/2"**

### INSTALLED TOO FAR OUT

If the valve is **installed too far out of the wall**, the **stems and nipples** may be trimmed. To determine amount to be cut measure the gap between the **escutcheon and the wall** and/or the gap between the **handle and escutcheon**.



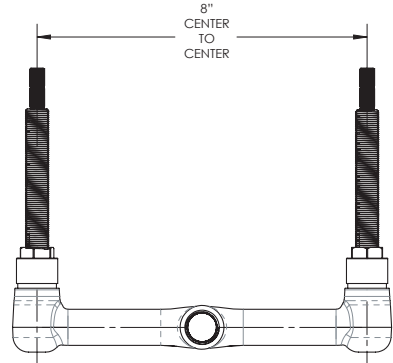
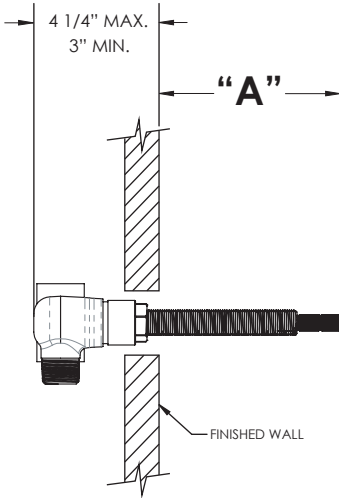
Remove **handle, escutcheon and stem assembly**, make appropriate **cuts** on stem and nipple.  
**Re - install** stem assemblies, escutcheons and handles.



Secure handles using **setscrews** or 1/4-20 machine screws provided.

**Your faucet is now ready to use.**

# ROUGH-IN SPECIFICATIONS



**Rough in specifications for wall tub sets**  
**All Phylrich valve installations must follow the measurement for "A" listed below**

Please consult the trim number for correct rough in dimension

PHYLIRICH PROD#	Rough In	PHYLIRICH PROD#	Rough In	PHYLIRICH PROD#	Rough In
K1101	.....2 1/4"	K1171	.....2 1/2"	K1273	......2"
K1104	.....2 3/4"	K1180	.....2 7/8"	K1274	......2"
K1105	.....2 3/4"	K1181	.....2 7/8"	K1338A	.....2 1/2"
K1123	.....2 7/8"	K1183	.....2 7/8"	K1338B	.....2 1/2"
K1137	.....2 3/8"	K1184	.....2 7/8"	K1338C	.....2 1/2"
K1137SF	.....2 3/8"	K1234	.....2 1/2"	K1338D	.....2 1/2"
K1141	.....2 3/8"	K1240	.....3"	K1338F	.....2 1/2"
K1144	.....2 1/4"	K1241	.....3"	K1361	.....2 3/8"
K1158A	.....2 1/4"	K1242	.....3"	D1100	.....2 1/4"
K1158B	.....2 1/4"	K1243	.....3"	D1102	.....2 1/4"
K1158C	.....2 1/4"	K1244	.....3"	D1130	.....2 1/4"
K1158D	.....2 1/4"	K1270	.....2"	D1134	.....2 1/4"
K1158F	.....2 1/4"	K1271	.....2"	D1137	.....2 1/4"
K1170	.....2 1/2"	K1272	.....2"	D1205	.....2 3/4"
				D1206	.....2 3/4"

## Rough in specifications for two handle shower sets

PHYLIRICH PROD#	Rough In	PHYLIRICH PROD#	Rough In	PHYLIRICH PROD#	Rough In
K3101	.....2 1/4"	K3170	.....2 1/2"	K3272	......2"
K3104	.....2 3/4"	K3171	.....2 1/2"	K3273	......2"
K3105	.....2 3/4"	K3180	.....2 7/8"	K3274	......2"
K3109	.....2 1/2"	K3181	.....2 7/8"	K3338A	.....2 1/2"
K3123	.....2 7/8"	K3183	.....2 7/8"	K3338B	.....2 1/2"
K3137	.....2 3/8"	K3184	.....2 7/8"	K3338C	.....2 1/2"
K3137SF	.....2 3/8"	K3234	.....2 1/2"	K3338D	.....2 1/2"
K3141	.....2 3/8"	K3240	.....3"	K3338F	.....2 1/2"
K3144	.....2 1/4"	K3241	.....3"	K3361	.....2 3/8"
K3158A	.....2 1/4"	K3242	.....3"	D3100	.....2 1/4"
K3158B	.....2 1/4"	K3243	.....3"	D3102	.....2 1/4"
K3158C	.....2 1/4"	K3244	.....3"	D3130	.....2 1/4"
K3158D	.....2 1/4"	K3270	.....2"	D3134	.....2 1/4"
K3158F	.....2 1/4"	K3271	.....2"	D3137	.....2 1/4"
				D3205	.....2 3/4"
				D3206	.....2 3/4"

# Rough in specifications for wall lavatory tub sets

## All Phylrich Doralife valve installations must follow the measurement for "A" listed below

Please consult the trim number for correct rough in dimension

PHYLIRICH PROD#	Rough In	PHYLIRICH PROD#	Rough In	PHYLIRICH PROD#	Rough In
WL101	2 1/4"	WL180	2 7/8"	WL338B	2 1/2"
WL104	2 3/4"	WL181	2 7/8"	WL338C	2 1/2"
WL105	2 3/4"	WL234	2 1/2"	WL338D	2 1/2"
WL123	2 7/8"	WL240	3"	WL338F	2 1/2"
WL137	2 3/8"	WL241	3"	WL361	2 3/8"
WL137SF	2 3/8"	WL242	3"	DWL100	2 1/4"
WL141	2 3/8"	WL243	3"	DWL102	2 1/4"
WL144	2 1/4"	WL244	3"	DWL130	2 1/4"
WL158A	2 1/4"	WL270	2"	DWL134	2 1/4"
WL158B	2 1/4"	WL271	2"	DWL137	2 1/4"
WL158C	2 1/4"	WL272	2"	DWL205	2 3/4"
WL158D	2 1/4"	WL273	2"	DWL206	2 3/4"
WL170	2 1/2"	WL274	2"		
WL171	2 1/2"	WL338A	2 1/2"		

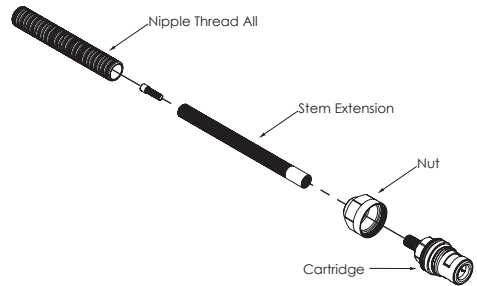
**Note: If you ordered/ purchased a replacement for the cartridge follow the instructions below.**

### ▪ ADJUSTABLE CARTRIDGE KIT 2-197 (1/2" COLD) & 2-198 (1/2" HOT)

**Warning: Before removing any plumbing make sure that the water line has been shut off**

#### HANDLE ADJUSTMENT

1. Remove any existing cartridge & make sure that the **valve is free from any debris.**
2. Install new **cartridge.**
3. Rotate handle to desired "**off**" position (**3 o'clock** or **9 o'clock**).
4. Remove handle and use a deep socket wrench (**12-14 ft-lb RECOMMENDED**) to secure the adjustment nut **DO NOT OVER TIGHTEN**
5. If the handle is heavy & starts to droop use a strap wrench on the **threaded nipple as needed**
6. **Reinstall trim & handle**



# PHYLIRICH<sup>®</sup>

Defining Luxury Since 1959

1261 Logan Ave., Costa Mesa, CA 92626 P: 714.361.4830 F: 714.617.3120  
[www.phylrich.com](http://www.phylrich.com)