

SHOWERHEAD

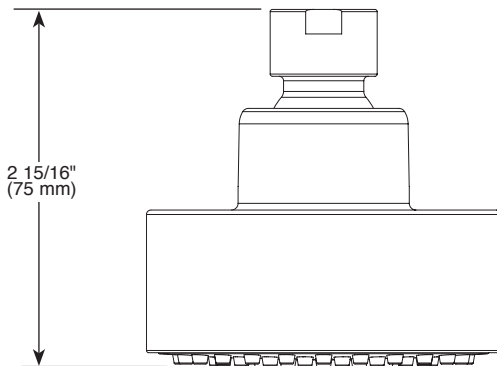
- One spray setting showerhead

STANDARD SPECIFICATIONS

- Maximum 1.75 gpm @ 80 psi, 6.6 L/min @ 550 kPa
- Showerhead with one spray setting - not a positive shut-off
- Ball joint swivel angle is 32° (16° per side)

WARRANTY

- Lifetime limited warranty on parts (other than electronic parts and batteries) and finishes; or, for commercial users, for 5 years from date of purchase.
- 5 year limited warranty on electronic parts (other than batteries); or, for commercial users, for 1 year from the date of purchase. No warranty is provided on batteries.



Full Body
Spray



COMPLIES WITH:

- ASME A112.18.1 / CSA B125.1
- EPA WaterSense®