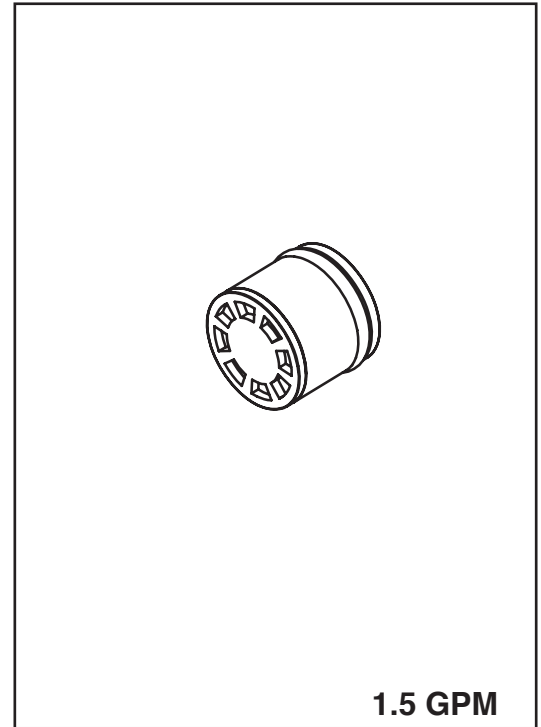


Part #	Description	Models	Finishes
RP83974-1.5	1.5 gpm Flow Restrictor	P188104LF-SD P188152LF	NA



FLOW RESTRICTOR

STANDARD SPECIFICATIONS:

- Max. 1.5 gpm @ 60 psi, 5.7 L/min @ 414 kPa

WARRANTY

- Parts and Finish - Lifetime limited warranty; or for commercial purchasers, 10 years for multi-family residential (apartments and condominiums) and 5 years for all other commercial uses, in each case from the date of purchase.

COMPLIES WITH

- ASME A112.18.1 / CSA B125.1