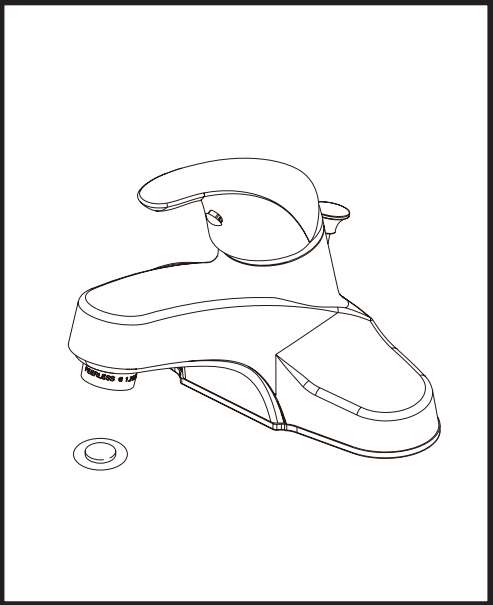


PEERLESS®

P136LF▲
P136LF▲-M
P136LF▲-0.5
P136LF▲-M-0.5



BATHROOM FAUCET

- Single Handle Deck Mount
- 1 or 3 Hole Sink Applications

STANDARD SPECIFICATIONS:

- Maximum 1.0 gpm @ 60 psi, 3.8 L/min @ 414 kPa (P136LF▲, P136LF▲-M)
- Maximum 0.5 gpm @ 60 psi, 1.9 L/min @ 414 kPa (P136LF▲-0.5, P136LF▲-M-0.5)
- Control mechanism is the rotating ball type with replaceable non-metallic seats
- 1/2"-14 NPSM threaded male inlet adapters
- Red/Blue indicator markings
- Models with no suffix have plastic pop-up type fitting with plated flange and stopper
- Models with suffix "M" have metal drain with pop-up type fitting with plated flange and stopper

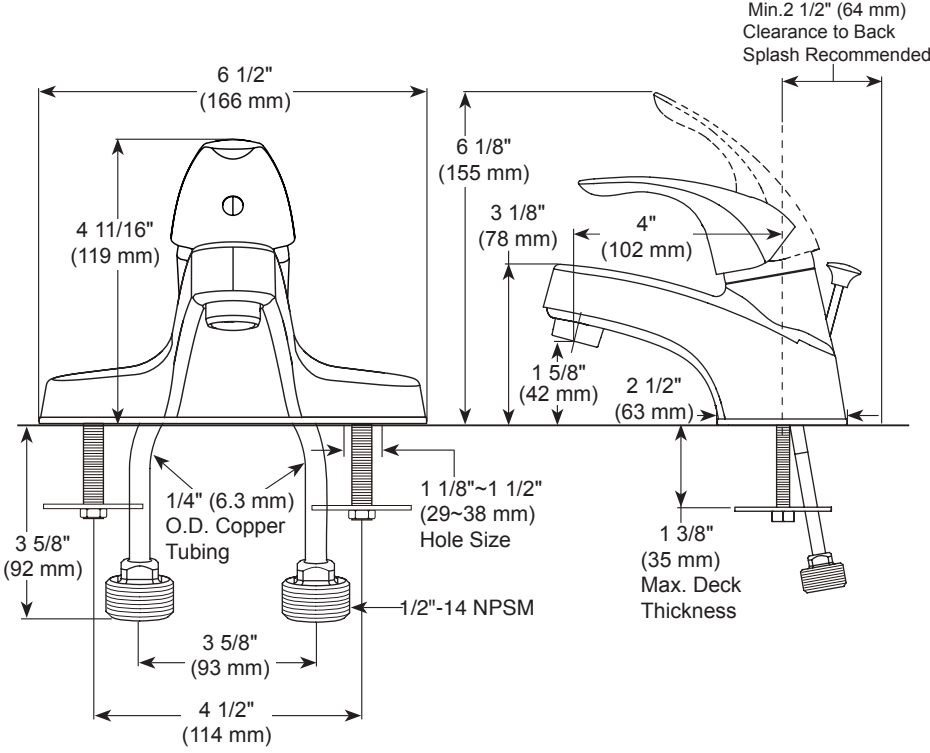
WARRANTY:

- Parts and Finish - Lifetime limited warranty; or for commercial purchasers, 10 years for multi-family residential (apartments and condominiums) and 5 years for all other commercial uses, in each case from the date of purchase.

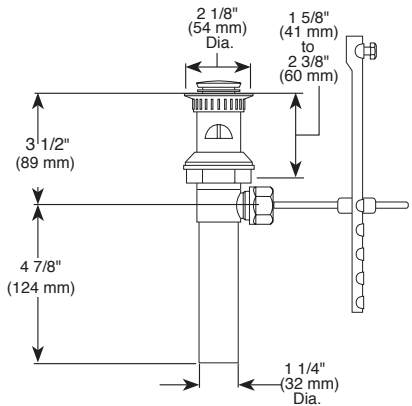


COMPLIES WITH:

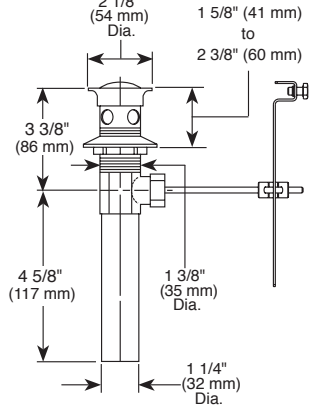
- ASME A112.18.1 / CSA B125.1
- ASME A112.18.2 / CSA B125.2
- ♿ Indicates compliance to ICC / ANSI A117.1 - Valve control only
- EPA WaterSense® - Applies to P136LF▲ & P136LF▲-M only



RP62472▲
Plastic Pop-up



RP26533▲
Metal Pop-up



▲ Designate proper finish suffix