



PREMIER
COPPER PRODUCTS

MODEL NUMBER: VSQ15SKDB

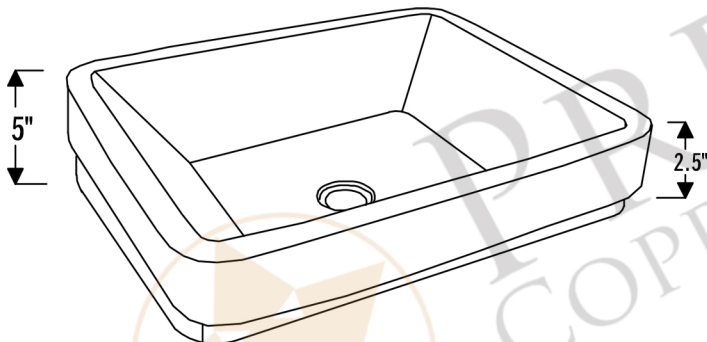
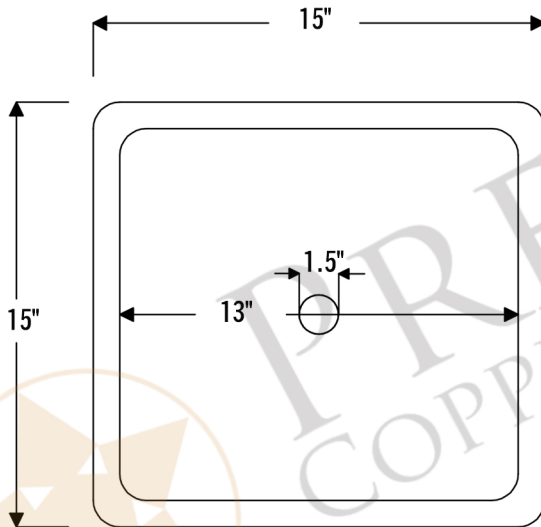
- * Description: Square Skirted Vessel Hammered Copper Sink
- * Outer Dimension: 15" x 15" x 5"
- * Inner Dimension: 13" x 13" x 5"
- * Skirt Height: 2.5"
- * Drain Opening: 1.5"
- * Finish: Oil Rubbed Bronze

CODE/STANDARD COMPLIANCE

* IAPMO/cUPC LISTED



* ORB: Oil Rubbed Bronze



THIS PRODUCT IS HAND CRAFTED, SMALL VARIANCES IN COLOR AND SIZE MAY OCCUR.
DO NOT MAKE ANY INSTALLATION CUTS UNTIL YOU RECEIVE YOUR ITEM(S).