

Premier Copper Products

CODE/STANDARD COMPLIANCE

* IAPMO/cUPC LISTED



ITEM # V018SKDB OVAL SKIRTED VESSEL

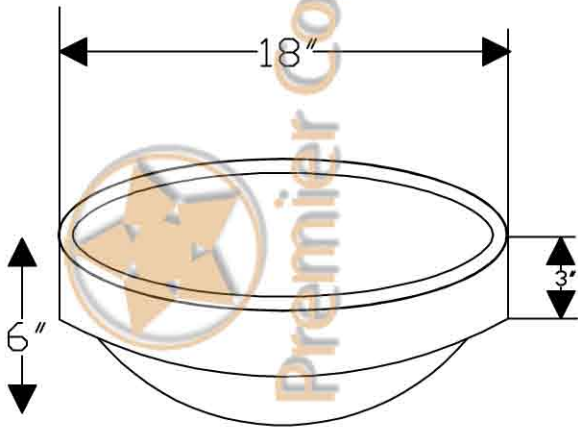
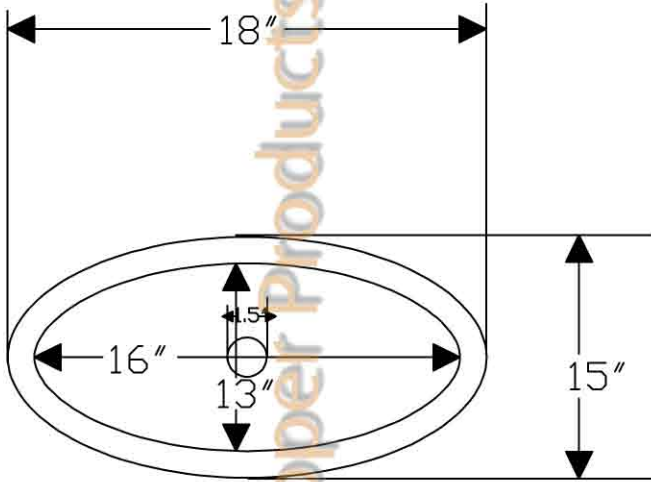
OUTER DIMENSIONS: 18"X15"X3"

INNER DIMENSIONS: 16"X13"X6"

3" SKIRT

DRAIN SIZE: 1.5" W/O OVERFLOW

MATERIAL GAUGE: 16



IMPORTANT: THIS PRODUCT IS HAND CRAFTED AND SMALL VARIANCES MAY OCCUR. DIMENSIONS MAY VARY UP TO 1/4". DO NOT MAKE ANY INSTALLATION CUTS UNTIL YOU RECEIVE YOUR SINK.