



PREMIER
COPPER PRODUCTS

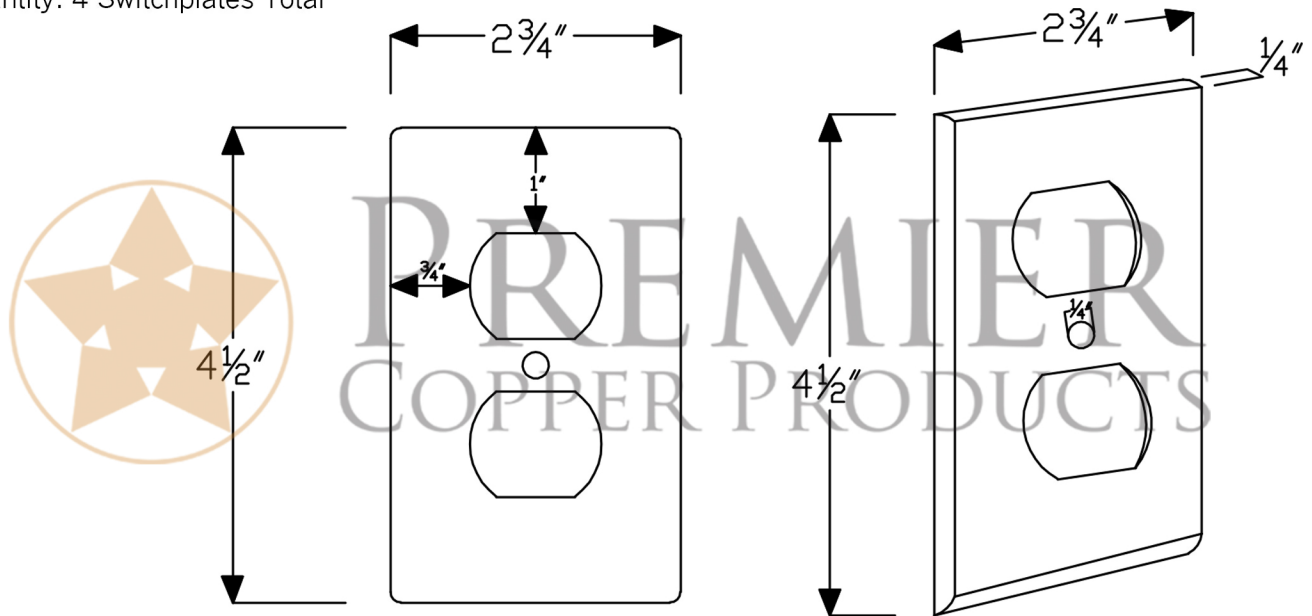
MODEL NUMBER: SO2_PKG4

- * Description: Hammered Copper Switchplate Package
- * Dimensions: 2.75" x 4.5"
- * Quantity: **4 Switchplates Total**
- * Finish: Oil Rubbed Bronze

* ORB: Oil Rubbed Bronze

SWITCHPLATE DETAILS (Model# SO2)

- * Description: Copper Single Duplex, 2 Hole Outlet Cover
- * Dimensions: 2.75" x 4.5"
- * Finish: Oil Rubbed Bronze
- * Quantity: 4 Switchplates Total



DUE TO THE HAND CRAFTED NATURE OF THIS PRODUCT SMALL VARIANCES IN COLOR AND SIZE MAY OCCUR.