

Premier Copper Products

CODE/STANDARD COMPLIANCE

* IAPMO/cUPC LISTED



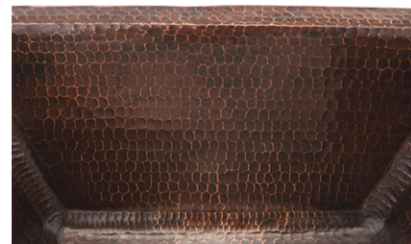
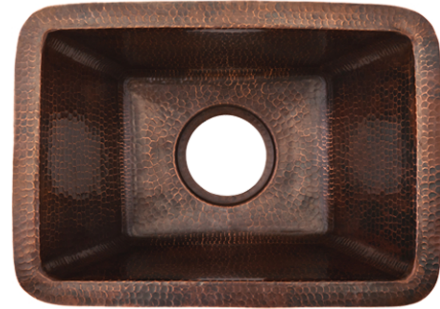
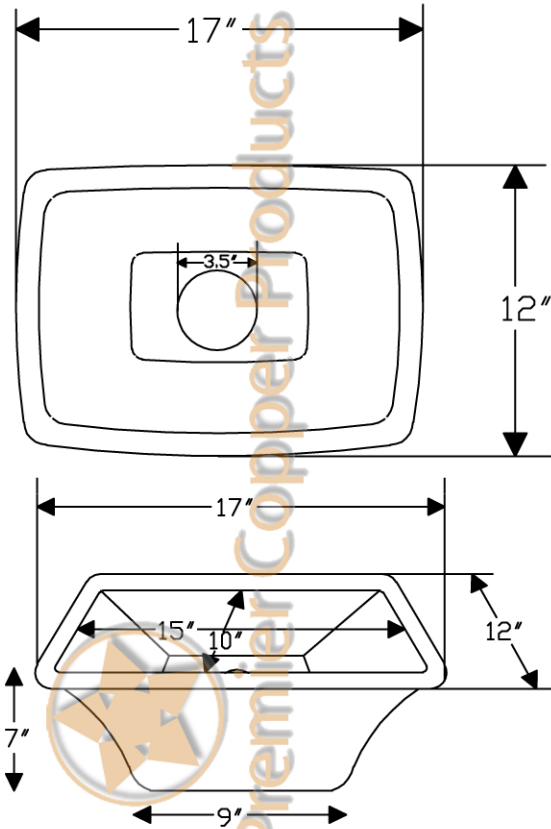
ITEM # BRECDB3 RECTANGLE BAR/PREP

OUTER DIMENSIONS: 17"X12"X7"

INNER DIMENSIONS: 15"X10"X7"

DRAIN SIZE: 3.5" PREP STANDARD

MATERIAL GAUGE: 17



IMPORTANT: THIS PRODUCT IS HAND CRAFTED AND SMALL VARIANCES MAY OCCUR. DIMENSIONS MAY VARY UP TO 1/4". DO NOT MAKE ANY INSTALLATION CUTS UNTIL YOU RECEIVE YOUR SINK.