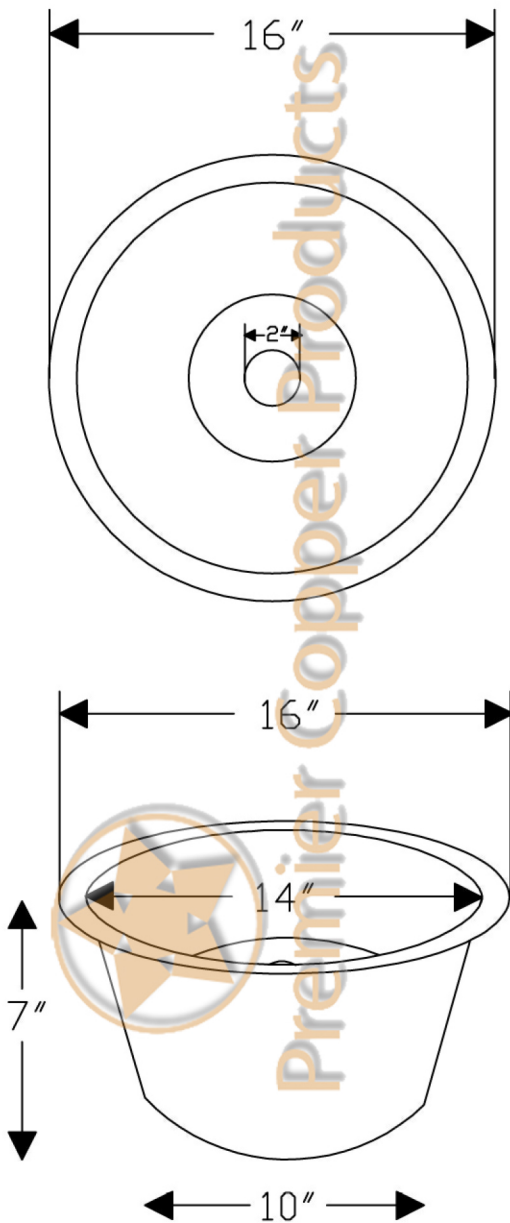




**PREMIER**  
COPPER PRODUCTS

## MODEL NUMBER: BR16EN2

- \* Description: 16" Round Hammered Copper Bar Sink in Electroless Nickel w/ 2" Drain Size
- \* Outer Dimensions: 16" x 7"
- \* Inner Dimensions: 14" x 7"
- \* Rim: 1"
- \* Drain Opening: 2" Bar Standard
- \* Finish: Electroless Nickel



This product is hand crafted, small variances in color and size may occur. Dimensions may vary up to 1/4". Do not make any installation cuts until you receive your item(s).