

Specification Submittal Data / Panasonic Range Hood

Description:

Cabinet insert range hood provides industry-leading capture efficiency. Quiet operation. Stainless steel finish and washable and removable filter. LED lighting. Must be available in 28" width. Range hood shall be certified by the Home Ventilating Institute (HVI), evaluated by Underwriters Laboratories and conform to both UL and cUL standards. Shall operate as a stand-alone range hood or as part of the Cosmos Healthy Home System.

Features:

- Industry-leading capture efficiency with 390 CFM and no need for make-up air*. Capture efficiency plate velocity draws and eliminates contaminated air at the source.
- Quiet operation.
- Certified by Home Ventilating Institute (HVI).
- Evaluated by Underwriters Laboratories and conforms to both UL and cUL standards.
- 2 LED lighting components.
- 3 continuous speeds and 1 boost speed.
- Push button control panel.
- RoHs compliant.
- Remote control included.

Motor/Blower:

- AC Motor—2-pole condenser
- Ventilation rates at 130-240-340-390 CFM.
- Power rating of 120 volts and 60 Hz.
- Motor equipped with thermal cutoff fuse and thermal protector.

Housing:

- Stainless steel (SUS304).

Maintenance:

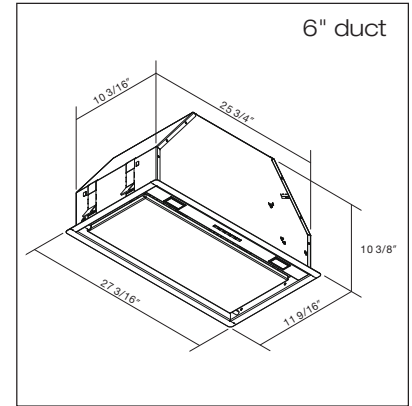
- Removable and washable metallic grease filter (dishwasher safe).

Warranty:

- AC Motor: 3 years from original purchase date.
- ALL Parts: 3 Years from original purchase date.

Architectural Specifications:

28" Cabinet insert range hood. Range hood must be inserted into cabinet. Must be HVI certified with <1.2 sones at low speed. Select from 130-240-340-390 CFM with 1.2/3.5/6/8.5 sones as certified by the Home Ventilating Institute (HVI). Range hood can be used to comply with ASHRAE 62.2 and CA Title 24. Shall be RoHs compliant. LED lighting. Power consumption shall be no

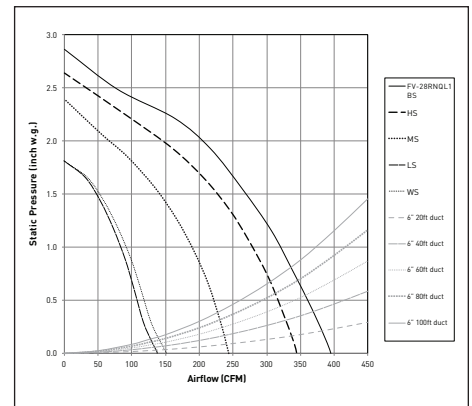


FV-28RNQL1

greater than 148.0/188.0/231.0/340.0 watts. Energy efficiency of no less than 1.1/1.3/1.5/ 1.3 CFM/Watt. AC motor. Power Rating shall be 120v/60Hz.

Specifications: WhisperHood IAQ FV-28RNQL1		6" Duct				
	Speed	Boost Speed	High Speed	Middle Speed	Low Speed	Working Speed
Range Hood Characteristics (HVI Certified Data)	Static Pressure in inches w.g.	0.1	0.1	0.1	0.1	0.023
	Air Volume (CFM)	390*	340	240	130	150
	Noise (sones)	8.5	6	3.5	1.2	1.3
	Power Consumption (watts)	340.0	231.0	188.0	148.0	148.0
	Energy Efficiency (CFM/Watt)	1.3	1.5	1.3	1.1	1.1
	Speed (RPM)	2461	1963	1529	1203	1104
	Amps (current)	2.90	2.18	1.81	1.47	1.47
	MAX. Amps (current)	2.90				
	Power Rating (V/Hz)	120/60				

Performance Curve 6" duct



*The 390 CFM exhaust rate means that you do not have to add a make-up air system to comply with the 2015 IRC requirement (make-up is required if >400 CFM).

For complete Installation Instructions visit us.panasonic.com/ventfans

Model	Quantity	Comments	Project:
			Location:
			Architect:
			Engineer:
			Contractor:
			Submitted by:
			Date:

Panasonic Life Solutions Company of America
IAQ Division
Two Riverfront Plaza
Newark, NJ 07102

WhisperhoodIAQ.com

