

# STAINLESS STEEL Product Data

## Stainless Steel Latchsets

- Will fit 2 1/8" bore.
- 2 3/8" and 2 3/4" backsets available.
- Supplied for 2 3/8" backset and 1 3/8" door thickness unless otherwise specified.
- All lever latchsets are ADA approved.

## Latch Features

- 28° retraction.
- 8 mm hub.
- Adjustable faceplate/armor plate for beveled doors.
- Built-in privacy feature with automatic release by inside lever or depression of latch nose.
- All dimensions are standard to fit existing bores for replacement installations.
- No. 013 "T" strike supplied as a standard or No. 014 "Full Lip" strike as an option at no extra charge. No. 019 4 7/8" ASA strike also available for an additional charge. Specify when ordering.

## Concealed Screw Roses

Self-aligning, spring-assisted roses.

- 2 7/16" dia. x 3/8" proj. Shipped standard.
- 2 7/16" square x 3/8" proj. or 2" dia. x 7/16" proj. optional. (To achieve a privacy function with a 2" dia. rose, a separate mortise privacy bolt must be ordered.)

## Functions

- **Passage:** Latch operates by lever from either side of door. Uses 8 mm solid spindle.
- **Privacy:** Latch operates by lever from either side. Push button on interior rose engages privacy; emergency release hole is on exterior rose. Turning inside lever will release privacy and retract latchbolt. For bathroom or bedroom. Uses 8 mm split spindle.
- **Pair Dummy:** Trim on both sides of door.
- **Single Dummy:** Trim on one side of door only.

DRAWINGS NOT TO SCALE

## Passage Latches (8 mm hub)

107LPA38: 2 3/8" backset  
Passage lever latch

107LPA34: 2 3/4" backset  
Passage lever latch

## Privacy Latches (8 mm hub)

108LPR38: 2 3/8" backset  
Privacy lever latch

108LPR34: 2 3/4" backset  
Privacy lever latch

*The above part numbers should be used when ordering latches only.*



All OMNIA lever latchsets meet ADA accessibility requirements.

## Finish Options

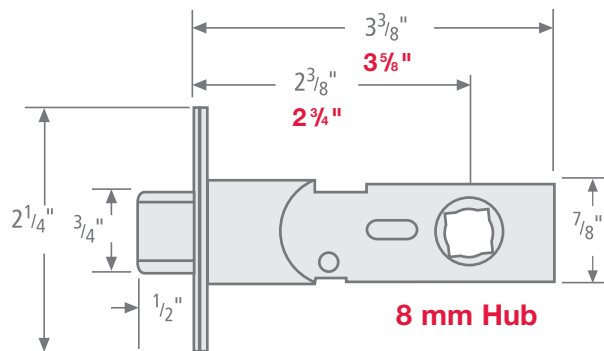
**US32** Polished Stainless Steel

**US32D** Satin Stainless Steel

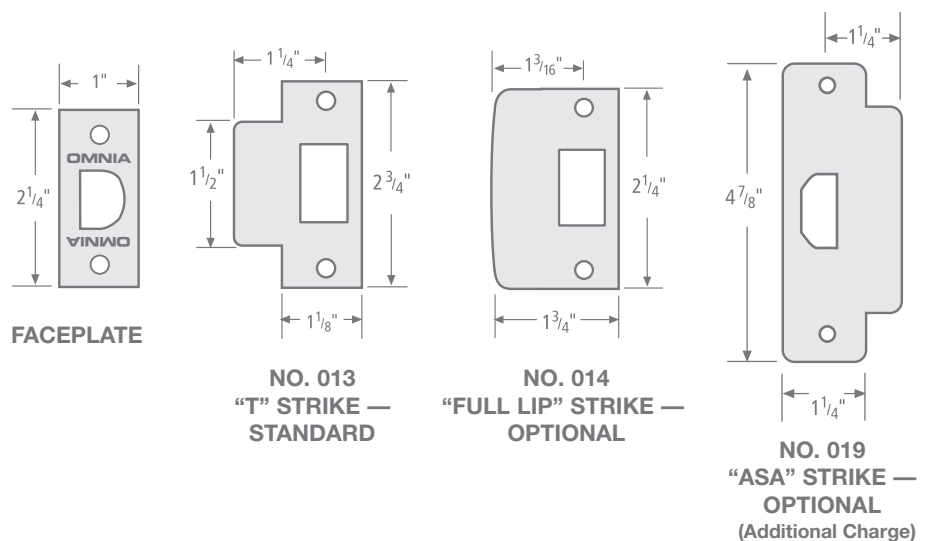
Please refer to the *OMNIA Stainless Steel Cabinet Hardware & Door Pulls Catalog* for a full line of door pulls and cabinet hardware.

## Care of Product

OMNIA's Stainless Steel requires minimal attention and will not tarnish or corrode under normal circumstances. However, exposure to certain chemical or environmental conditions may promote surface oxidation. Please be aware that this is not a defect in the stainless steel but a reaction on the surface of the finish to the chemical environment which can be removed with stainless steel polish, or an abrasive pad.



SPECIFY 2 3/8" OR 2 3/4" BACKSET.



# STAINLESS STEEL Product Data

## Latchset Component List

- |   |                               |
|---|-------------------------------|
| A) Door Knob/Lever (2)                                    | H) Privacy Locking Block      |
| B) Set Screws (2)   | I) Tubular Latch              |
| C) Spindle (Teardrop groove positioned towards set screw) | J) Tubular Latch Faceplate    |
| Da) Finished Rose   | K) Tubular Latch Strike Plate |
| Db) Nylon Sub-Rose  | L) Tubular Latch Dust Box     |
| E) Thru-bolt Screws (2)                                   | Ma) Nylon Sub-Rose            |
| F) Privacy Locking Block Machine Screw                    | Mb) Finished Rose             |
| G) Privacy Locking Block Locking Stopper                  | N) Privacy Locking Pin        |

DRAWING NOT TO SCALE

