

# Single Handle Tub & Shower Faucet

# Product Spec Sheet



## FEATURES & BENEFITS

OPV-772C  
Chrome Finish

- Acrylic Round Handle
- Stainless Steel Ball Valve
- Non Pressure Balanced
- Diverter Spout
- Max Flow Rate 2.0 GPM (7.6 L/MIN) At 80 PSI
- Min Flow Rate 1.5 GPM (5.7 L/MIN) At 45 PSI  
(ASME A112.18.1M/A112.18.1)

### APPROVALS:

Meets or Exceeds The Following:

\* ANSI/ASME A112.18.1M/A112.18.1



\* WaterSense Only On Models Containing Showerheads

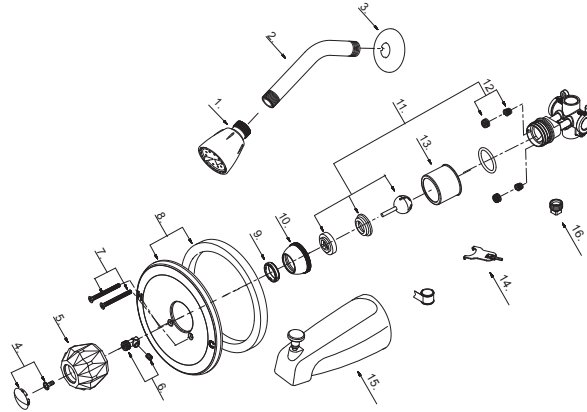
**TEL:** 800-217-4603

**FAX:** 877-992-2846

Visit Our Web Site : [www.omniprofaucets.com](http://www.omniprofaucets.com)

# Single Handle Tub & Shower Faucet

No.	Name	Part No.
1	Shower Head	S1214202
2	Shower Arm	A020002
3	Shower Arm Flange	A019001
4	Index Button-Cold/Hot	A66D566
5	Acrylic Handle	A029000
6	Handle Adaptor	A663024
7	Screw Set (3/16" -24 * 2-15/16" L)	A668209
8	Escutcheon Assembly	A663637-S
9	Locking Nut	A104001
10	Trim Cap	A103000
11	Ball Valve Assembly	A66D641N
12	Seat & Spring Set	A663002
13	Sleeve	A217000
14	Wrench	A031001NI
15	Spout W/Diverter	A100012
16	Plug	A028004



# Product Spec Sheet

