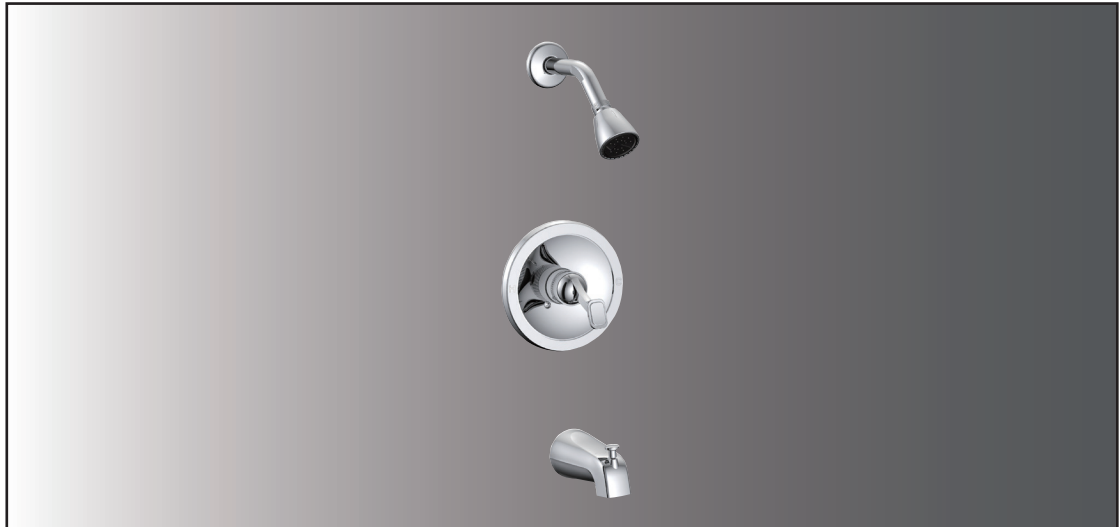


Single Handle Tub & Shower Faucet

Product Spec Sheet



FEATURES & BENEFITS

- Metal Lever Handle
- Stainless Steel Ball Valve
- Non Pressure Balanced
- Diverter Spout
- Max Flow Rate 1.75 GPM (6.6 L/MIN) At 80 PSI
- Min Flow Rate 1.65 GPM (6.25 L/MIN) At 45 PSI
(ASME A112.18.1M/A112.18.1)

OPV-770C
Chrome Finish

APPROVALS:

Meets or Exceeds The Following:

* ANSI/ASME A112.18.1M/A112.18.1



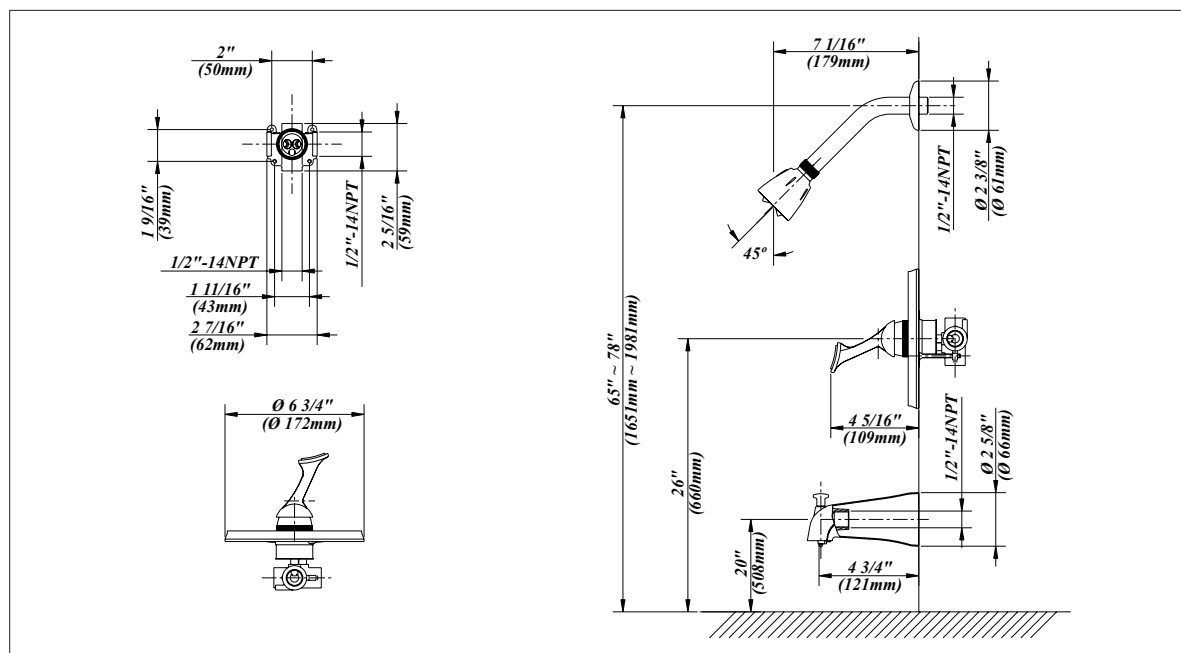
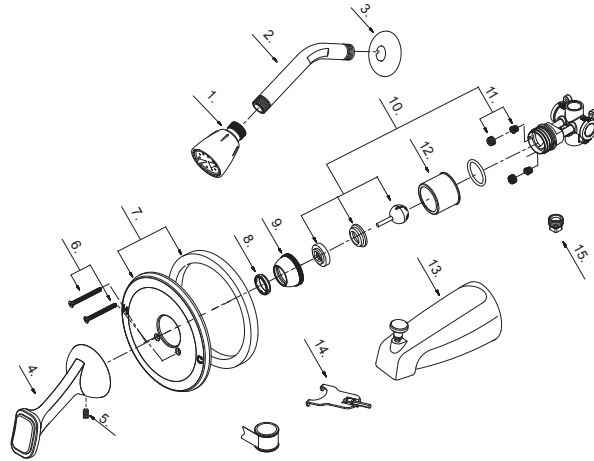
* WaterSense Only On Models Containing Showerheads

TEL: 800-217-4603

Visit Our Web Site : www.omniprofaucets.com

Single Handle Tub & Shower Faucet

No.	Name	Part No.
1	Shower Head	S1214202
2	Shower Arm	A020002
3	Shower Arm Flange	A019001
4	Metal Handle	A029004
5	Screw (1/4" -28UNF * 5/16" L)	A008002
6	Screw Set (3/16" -24 * 2-15/16" L)	A668209
7	Escutcheon Assembly	A663637-S
8	Locking Nut	A104001
9	Trim Cap	A103000
10	Ball Valve Assembly	A66D641N
11	Seat & Spring Set	A663002
12	Sleeve	A217000
13	Spout W/Diverter	A100012
14	Wrench	A031001NI
15	Plug	A028004



Product Spec Sheet