

## **4" Single Handle Lavatory Faucet**



### **FEATURES & BENEFITS**

OPV-502C  
Chrome Finish

- This Product Contains Less Than 0.25% Weighted Average Lead Content On Wetted Surfaces
- Acrylic Round Handle
- Stainless Steel Ball Valve
- Brass Pop-up
- Max Flow Rate 1.2 GPM (4.5 L/MIN) At 60 PSI (ASME A112.18.1M/A112.18.1)

#### **APPROVALS:**

**Meets or Exceeds The Following:**

- \* ANSI/ASME A112.18.1M/A112.18.1
- \* NSF/ANSI/CAN 61 – Sec. 9: Q≤1
- \* NSF/ANSI/CAN 372
- \* IAPMO/cUPC
- \* CA AB1953



NSF/ANSI/CAN 372  
NSF/ANSI/CAN 61-9.0 Q1



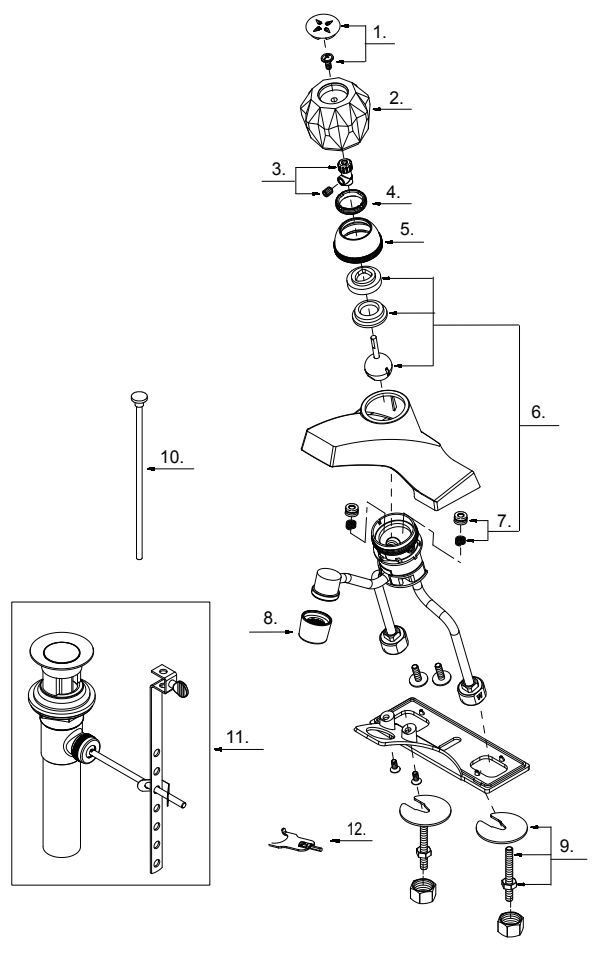
**Product Spec Sheet**

**TEL: 800-217-4603**

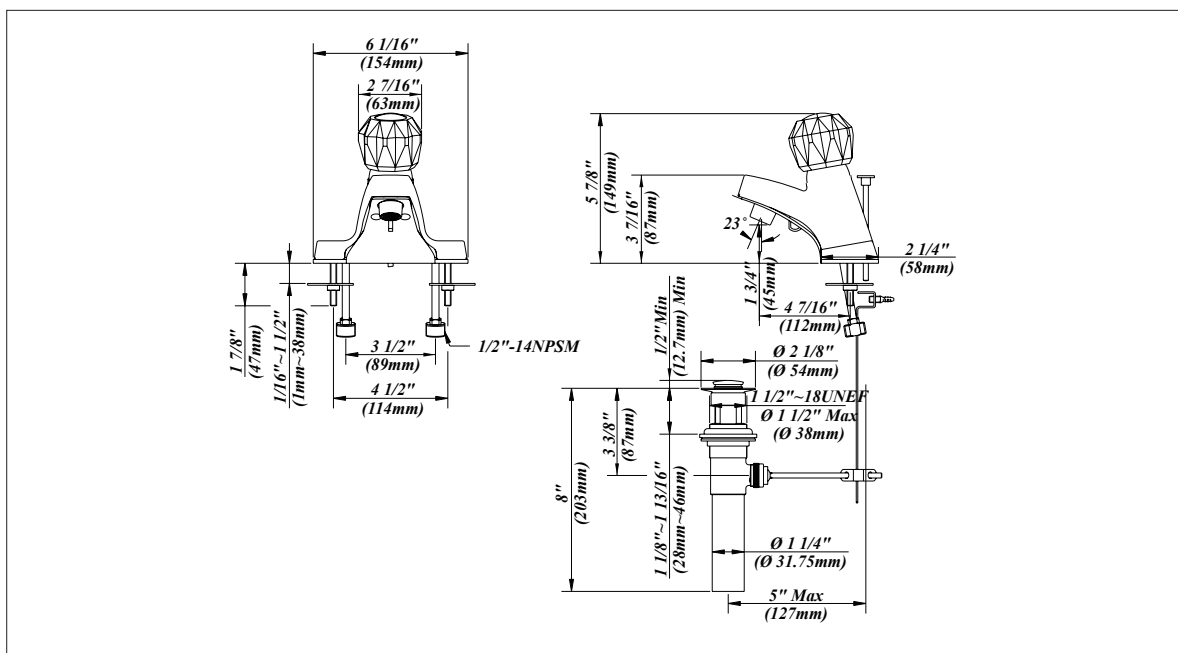
**Visit Our Web Site : [www.omniprofaucets.com](http://www.omniprofaucets.com)**

# 4" Single Handle Lavatory Faucet

No.	Name	Part No.
1	Index Button-Cold/Hot	A66D566
2	Acrylic Handle	A029000
3	Handle Adaptor	A663024
4	Locking Nut	A104001
5	Trim Cap	A103022
6	Ball Valve Assembly	A66D641N
7	Seat & Spring Set	A663002
8	Aerator	A500267N-64
9	Mounting Hardware	A663638
10	Lift Rod	A025011
11	Pop-up Assembly	A556200
12	Wrench	A031001NI



# Product Spec Sheet



TEL: 800-217-4603

Visit Our Web Site : [www.omniprofaucets.com](http://www.omniprofaucets.com)