

□ **OPV-500C**

□ **OPV-500CL**

OmniPro

4" Single Handle Lavatory Faucet

Product Spec Sheet



FEATURES & BENEFITS

- This Product Contains Less Than 0.25% Weighted Average Lead Content On Wetted Surfaces
- Metal Lever Handle
- Stainless Steel Ball Valve
- Brass Pop-up
- Max Flow Rate 1.2 gpm (4.5 L/min) at 60 psi (ASME A112.18.1M/A112.18.1)

OPV-500C
Chrome Finish

OPV-500CL
Less Pop-up
Chrome Finish

APPROVALS:

Meets or Exceeds The Following:

- * ANSI/ASME A112.18.1M/A112.18.1
- * NSF/ANSI 61 - Sec. 9
- * NSF/ANSI 372
- * IAPMO/cUPC
- * CA AB1953



NSF/ANSI 372
NSF/ANSI 61-9



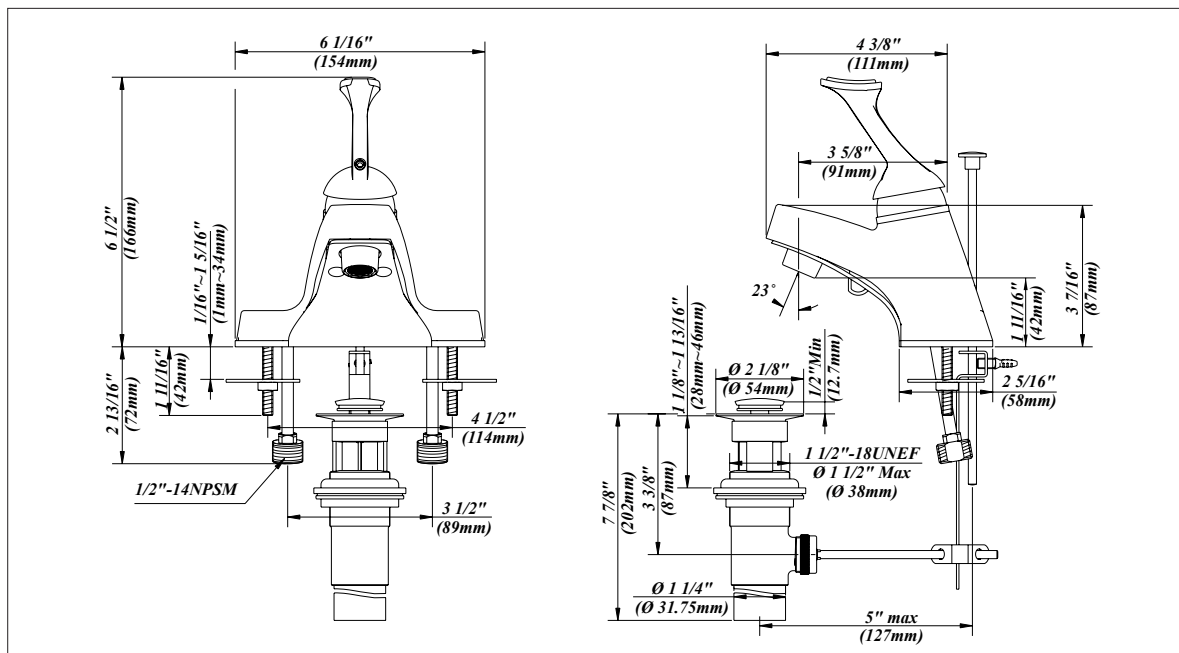
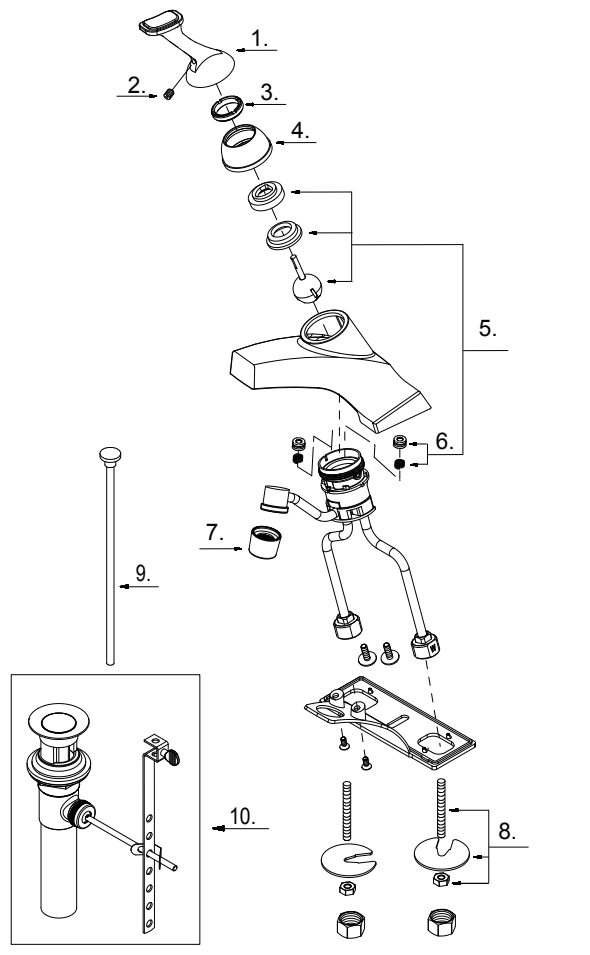
TEL: 800-217-4603

FAX: 877-992-2846

Visit Our Web Site : www.omniprofaucets.com

4" Single Handle Lavatory Faucet

No.	Name	Part No.
1	Metal Handle	A029004
2	Screw (1/4" -28UNF * 5/16" L)	A008002
3	Locking Nut	A104001
4	Trim Cap	A103022
5	Ball Valve Assembly	A66D641N
6	Seat & Spring Set	A663002
7	Aerator	A500267N-64
8	Mounting Hardware	A663638
9	Lift Rod	A025011
10	Pop-up Assembly	A556200



Product Spec Sheet