

4" Two Handle Lavatory Faucet



Product Spec Sheet

FEATURES & BENEFITS

- This Product Contains Less Than 0.25% Weighted Average Lead Content On Wetted Surfaces
- Acrylic Round Handles
- Washerless Cartridges
- Brass Pop-up
- Max Flow Rate 1.2 GPM (4.5 L/MIN) At 60 PSI (ASME A112.18.1M/A112.18.1)

OPV-402C
Chrome Finish

OPV-402CL
Less Pop-up
Chrome Finish

APPROVALS:

Meets or Exceeds The Following:

- * ANSI/ASME A112.18.1M/A112.18.1
- * NSF/ANSI/CAN 61 – Sec. 9: Q≤1
- * NSF/ANSI/CAN 372
- * IAPMO/cUPC
- * CA AB1953



NSF/ANSI/CAN 372
NSF/ANSI/CAN 61-9.0 Q≤1

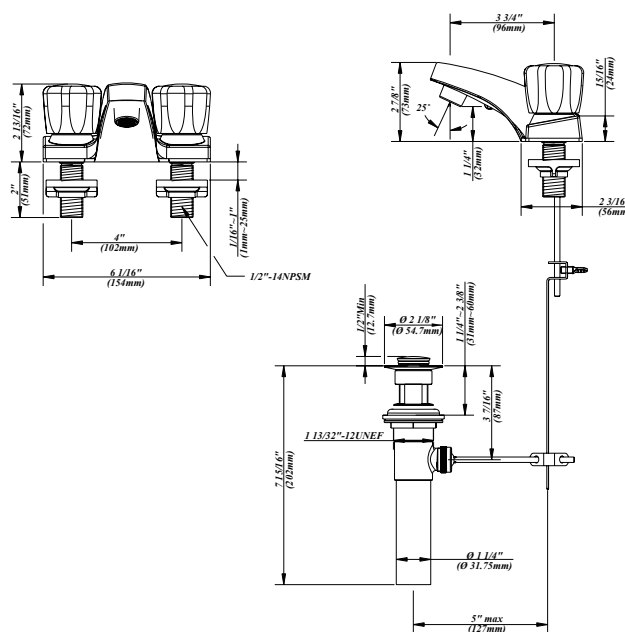
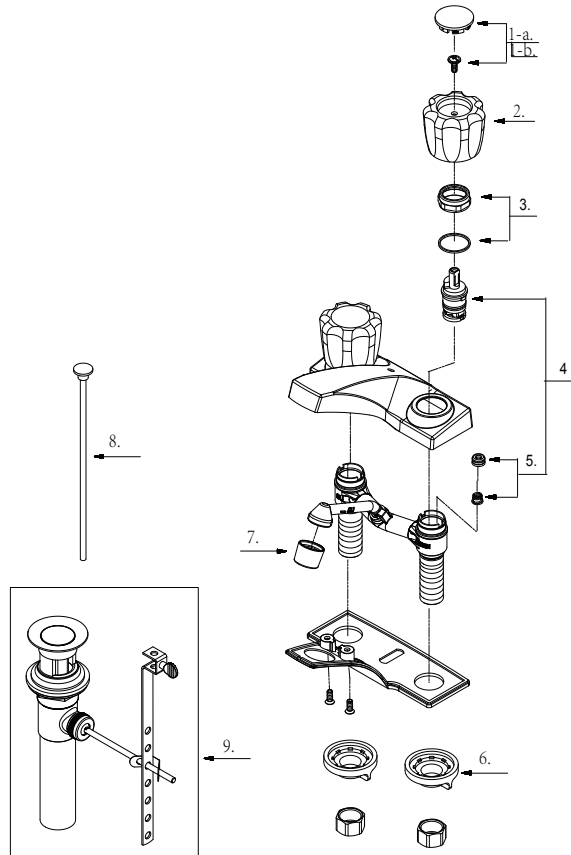


TEL: 800-217-4603

Visit Our Web Site : www.omniprofaucets.com

4" Two Handle Lavatory Faucet

| No. | Name | Part No. |
|-----|-----------------------|-------------|
| 1-a | Index Button-Cold | A66E233C |
| 1-b | Index Button-Hot | A66E233H |
| 2 | Acrylic Handle | A029001 |
| 3 | Retainer Nut & Washer | A66D639 |
| 4 | Cartridge Assembly | A66D636N |
| 5 | Seat & Spring Set | A663002 |
| 6 | Lock Nut Set | A504023 |
| 7 | Aerator | A500267N-64 |
| 8 | Lift Rod | A025011 |
| 9 | Pop-up Assembly | A556200 |



Product Spec Sheet