

□ **OPL-480CF**

□ **OPL-480BNF**

Omni**pro**

Two - Handle Lavatory Faucet

Product Spec Sheet



FEATURES & BENEFITS

- This Product Contains Less Than 0.25% Weighted Average Lead Content On Wetted Surfaces
- Metal Lever Handle
- Ceramic Cartridge
- 50/50 Push Pop-Up
- Max Flow Rate 1.2 GPM (4.5L/Min) At 60 PSI (ASME A112.18.1/A112.18.1)

OPL-480CF
Chrome Finish

OPL-480BNF
Brushed Nickel Finish

Approvals:

Meets or Exceeds The Following:

- * ANSI/ASME A112.18.1/A112.18.1
- * NSF/ANSI 61 - Sec. 9
- * NSF/ANSI 372
- * IAPMO/cUPC
- * CA AB1953
- * ADA Compliant
- * EPA WaterSense
- * NSF/ANSI/CAN 61: $Q \leq 1$



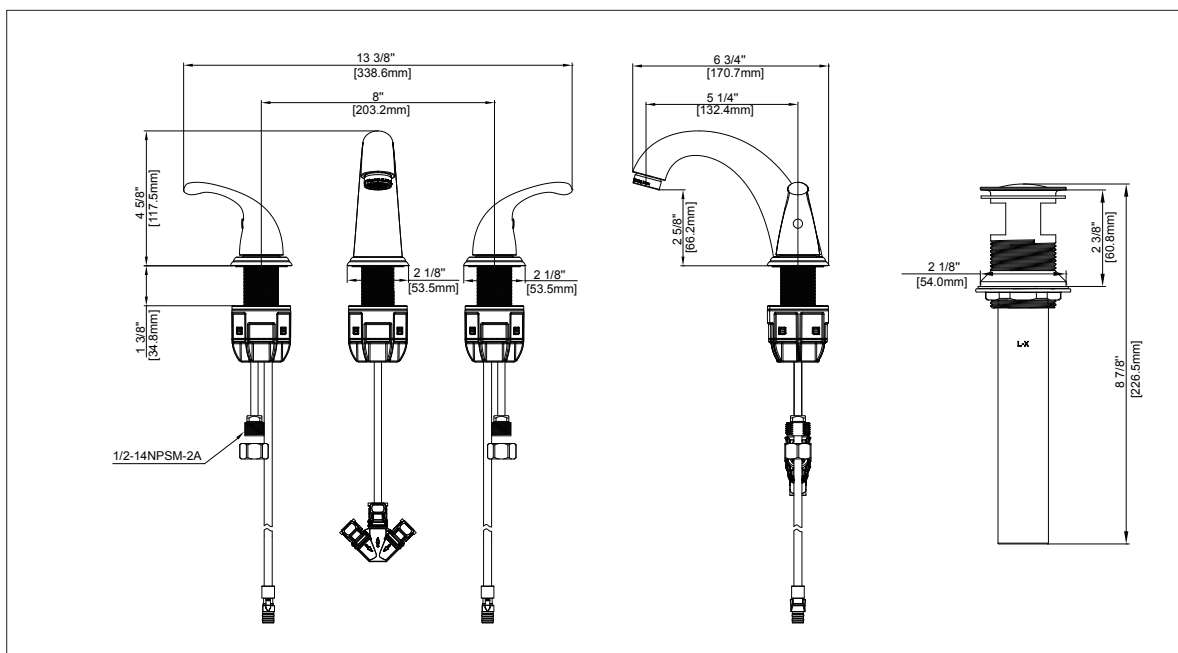
TEL: 800-217-4603

Visit Our Web Site : www.omniprofaucets.com

Two - Handle Lavatory Faucet

No.	Name	Part No.
1	Handle / Llave	RP13308*
2	Set screw / Tornillo de fijación	RP50002
3	Index H / Índice H	RP10004
4	Index C / Índice C	RP10005
5	Bonnet / Bonete	RP70678
6	Cartridge H / Cartucho H	RP20067
7	Cartridge C / Cartucho C	RP20068
8	Block / Bloque	RP70421
9	O-ring / Aro tórico	RP60002
10	Aerator / Aireado	RP30192*
11	Quick connecting assembly / Ensamblaje de conexión rápida	RP70765
12	Quick install nut / Tuerca de acoplamiento	RP70769
13	Quick install nut / Tuerca de acoplamiento	RP70764
14	Coupling nut / Tuerca de acoplamiento	RP56002
15	Pop-up assembly / Ensamblaje emergente	RP40317*

* Specify Finish
* Especificue el Acabado



Product Spec Sheet