

## **Two - Handle Lavatory Faucet**

# Product Spec Sheet



### **FEATURES & BENEFITS**

OPL-405CF  
Chrome Finish

- This Product Contains Less Than 0.25% Weighted Average Lead Content On Wetted Surfaces
- Metal Lever Handle
- Washerless Cartridge
- 50/50 Push Pop-Up
- Max Flow Rate 1.2 GPM (4.5L/Min) At 60 PSI (ASME A112.18.1/A112.18.1)

### **Approvals:**

Meets or Exceeds The Following:

- \* ANSI/ASME A112.18.1/A112.18.1
- \* NSF/ANSI 61 - Sec. 9
- \* NSF/ANSI 372
- \* IAPMO/cUPC
- \* CA AB1953
- \* ADA Compliant
- \* EPA WaterSense
- \* NSF/ANSI/CAN 61:  $Q \leq 1$



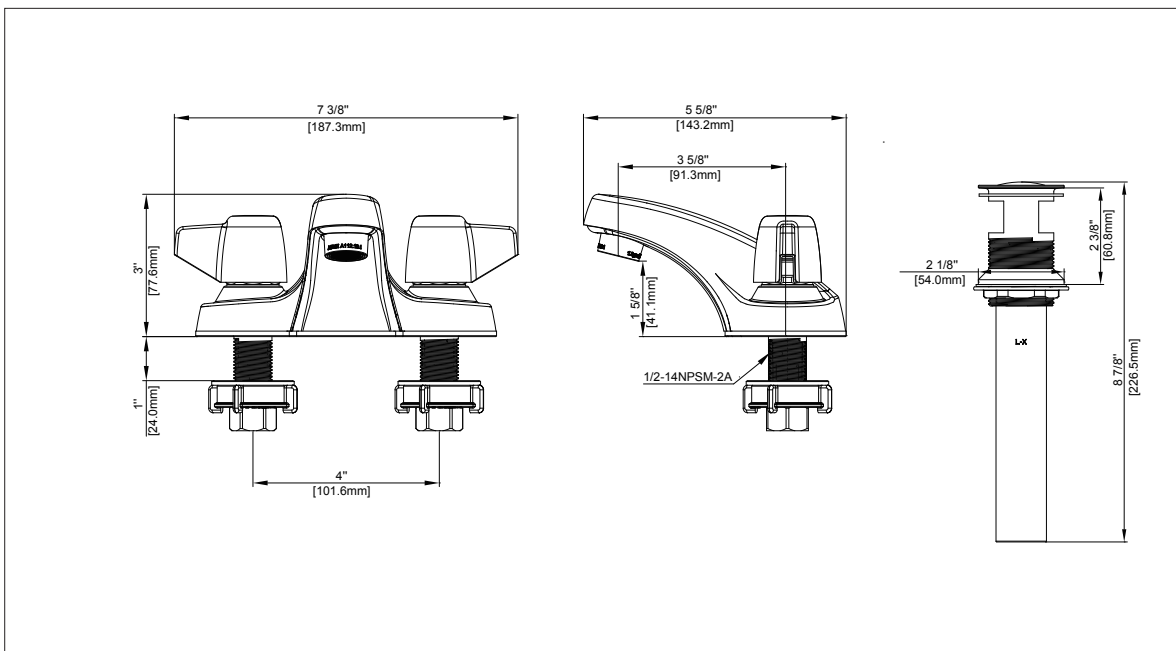
**TEL: 800-217-4603**

Visit Our Web Site : [www.omniprofaucets.com](http://www.omniprofaucets.com)

## Two - Handle Lavatory Faucet

| No. | Name  | Part No. |
|-----|---|----------|
| 1   | Screw / Tornillo                            | RP50210  |
| 2   | Handle H / Llave H                          | RP13765* |
| 3   | Handle C / Llave C                          | RP13766* |
| 4   | Bonnet / Bonete                             | RP70678  |
| 5   | Washer / Arandela                           | RP64124  |
| 6   | Cartridge / Cartucho                        | RP22010  |
| 7   | Seat & Spring / Base y resorte              | RP22008  |
| 8   | Gasket / Junta                              | RP80751  |
| 9   | Aerator / Aireado                           | RP30190* |
| 10  | Easy install nut / Tuerca fácil de instalar | RP56095  |
| 11  | Coupling nut / Tuerca de acoplamiento       | RP56002  |
| 12  | Pop-up assembly / Ensamblaje emergente      | RP40137* |

\* Specify Finish  
\* Especificque el Acabado



**Product Spec Sheet**