

Two - Handle Kitchen Faucet

Product Spec Sheet



FEATURES & BENEFITS

OPL-240C
Chrome Finish

- This Product Contains Less Than 0.25% Weighted Average Lead Content On Wetted Surfaces
- Metal Lever Handle
- Ceramic Cartridge
- Side Spray
- Max Flow Rate 1.5 GPM (5.7L/Min) At 60 PSI (ASME A112.18.1/A112.18.1)

Approvals:

Meets or Exceeds The Following:

- * ANSI/ASME A112.18.1/A112.18.1
- * NSF/ANSI 61 - Sec. 9
- * NSF/ANSI 372
- * IAPMO/cUPC
- * CA AB1953
- * ADA Compliant
- * NSF/ANSI/CAN 61: $Q \leq 1$

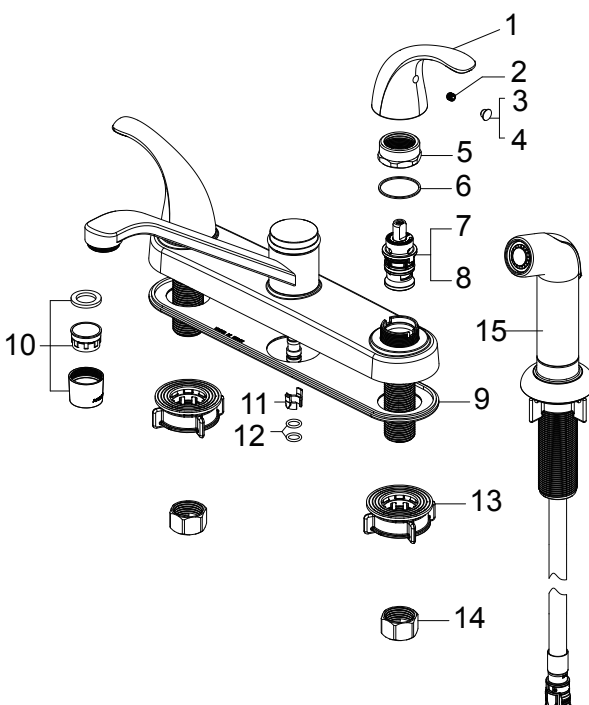


TEL: 800-217-4603

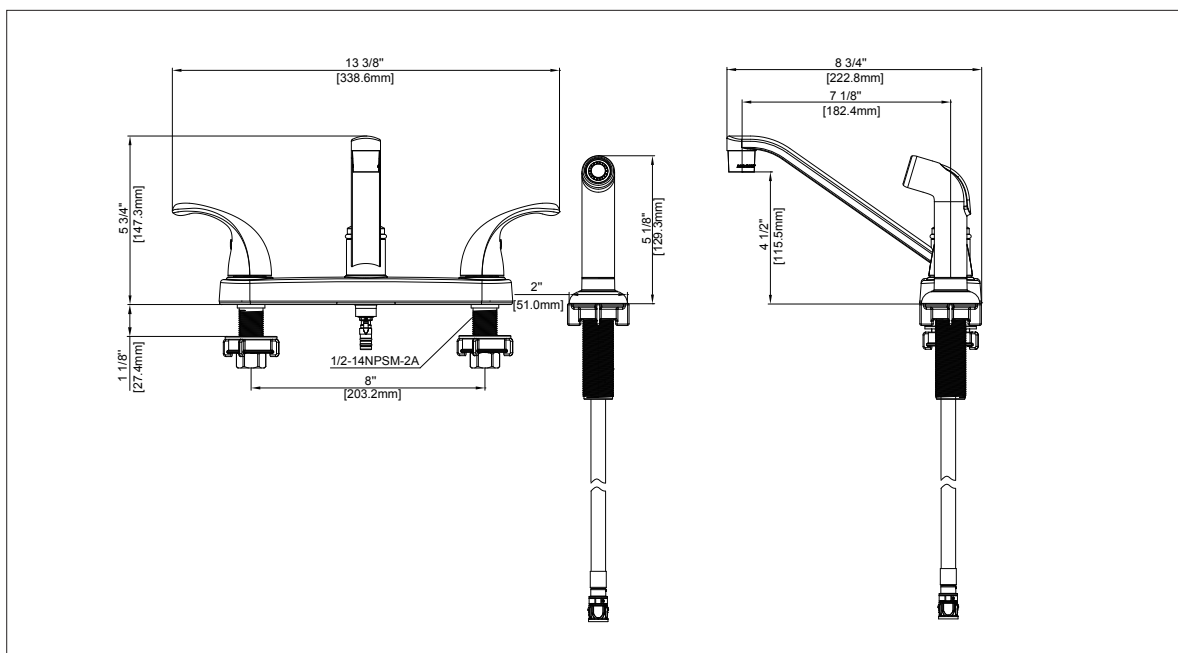
Visit Our Web Site : www.omniprofaucets.com

Two - Handle Kitchen Faucet

| No. | Name | Part No. |
|-----|---|----------|
| 1 | Handle / Llave | RP13308* |
| 2 | Set screw / Tornillo de fijación | RP50002 |
| 3 | Index H / Índice H | RP10004 |
| 4 | Index C / Índice C | RP10005 |
| 5 | Bonnet / Bonete | RP70678 |
| 6 | Washer / Arandela | RP64124 |
| 7 | Cartridge H / Cartucho H | RP20067 |
| 8 | Cartridge C / Cartucho C | RP20068 |
| 9 | Gasket / Junta | RP70330 |
| 10 | Aerator / Aireado | RP30067* |
| 11 | Block / Bloque | RP70421 |
| 12 | O-ring / A rotórico | RP60002 |
| 13 | Easy install nut / Tuerca fácil de instalar | RP56095 |
| 14 | Coupling Nut / Tuerca de acoplamiento | RP56002 |
| 15 | Side spray / Rociador lateral | RP36115* |



* Specify Finish
* Especificque el Acabado



Product Spec Sheet