

OPH-730CJP

OPH-730BNJP

Omniipro

OPH-730MBJP

Single Handle Tub & Shower Trim Kit



FEATURES & BENEFITS

- Metal Lever Handle
- Metal Shower Arm And Shower Flange
- With Metal Slip On Tub Spout
- With Metal Escutcheon
- With 6" Single Function Showerhead
- Showerhead: Max Flow Rate 1.8 GPM (6.8L/Min)
At 80 PSI (ASME A112.18.1/A112.18.1)

OPH-730CJP
Chrome Finish

OPH-730BNJP
Brushed Nickel Finish

OPH-730MBJP
Matte Black Finish

Approvals:

Meets or Exceeds The Following:

- * ANSI/ASME A112.18.1/A112.18.1
- * IAPMO/cUPC
- * ADA Compliant
- * EPA WaterSense



TEL: 800-217-4603

Visit Our Web Site : www.omniprofaucets.com

Product Spec Sheet

OPH-730CJP

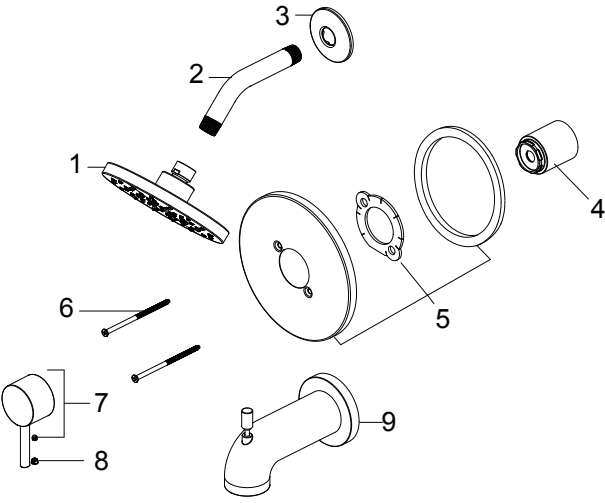
OPH-730BNJP

OmniPro

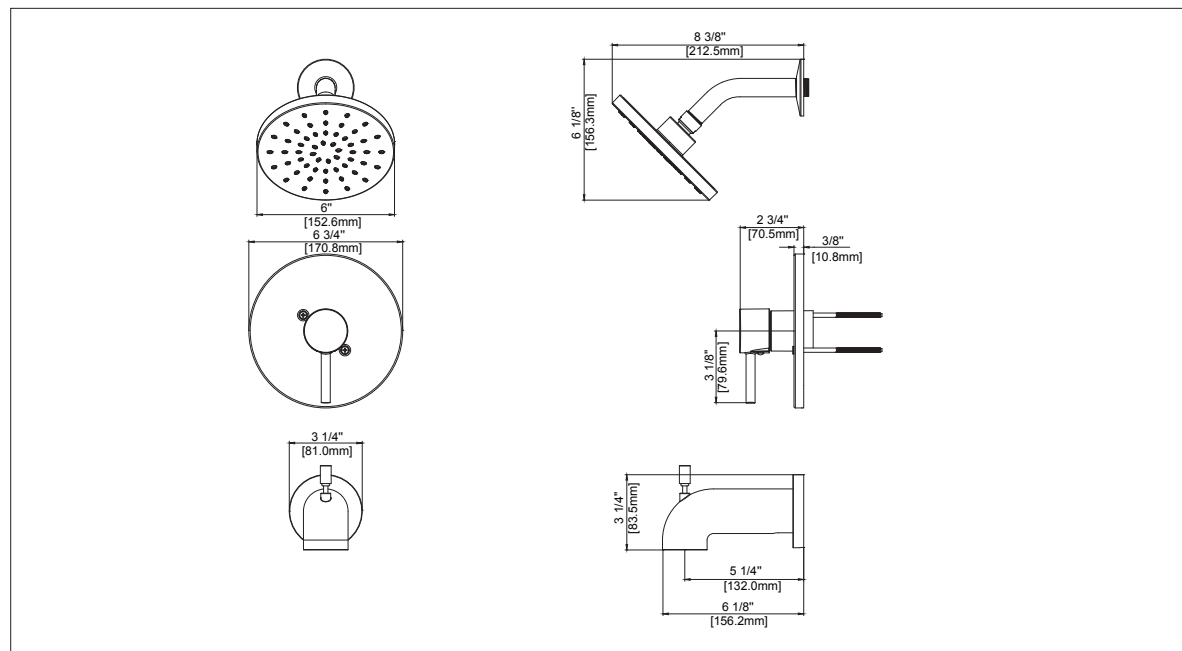
OPH-730MBJP

Single Handle Tub & Shower Trim Kit

No.	Name	Part No.
1	Shower head / Cabezal de la ducha	RP38512*
2	Shower arm / Brazo de la ducha	RP38408*
3	Shower flange / Brida de la ducha	RP38046*
4	Sleeve / Funda	RP80624*
5	Escutcheon / Placa protectora	RP80781*
6	Escutcheon screw / Tornillo de la placa protectora	RP50055
7	Handle / Llave	RP13795*
8	Index / Índice	RP10042
9	Spout / Caño	RP33102*



* Specify Finish
* Especifique el Acabado



Product Spec Sheet