

**OPH-720CJP**

**OPH-720BNJP**

Omniopro

**OPH-720MBJP**

## ***Single Handle Shower Only Trim Kit***



### **FEATURES & BENEFITS**

- Metal Lever Handle
- Metal Shower Arm And Shower Flange
- Metal Escutcheon
- With 6" Single Function Shower Head
- Max Flow Rate 1.8 GPM (6.8L/Min) At 80 PSI (ASME A112.18.1/A112.18.1)

OPH-720CJP  
Chrome Finish

OPH-720BNJP  
Brushed Nickel Finish

OPH-720MBJP  
Matte Black Finish

### **Approvals:**

Meets or Exceeds The Following:

- \* ANSI/ASME A112.18.1/A112.18.1
- \* IAPMO/cUPC
- \* ADA Compliant
- \* EPA WaterSense



**TEL: 800-217-4603**

Visit Our Web Site : [www.omni profaucets.com](http://www.omni profaucets.com)

**Product Spec Sheet**

**OPH-720CJP**

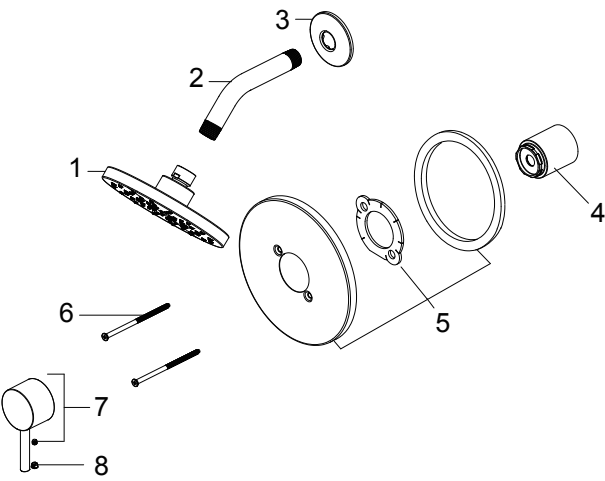
**OPH-720BNJP**

Omni**pro**

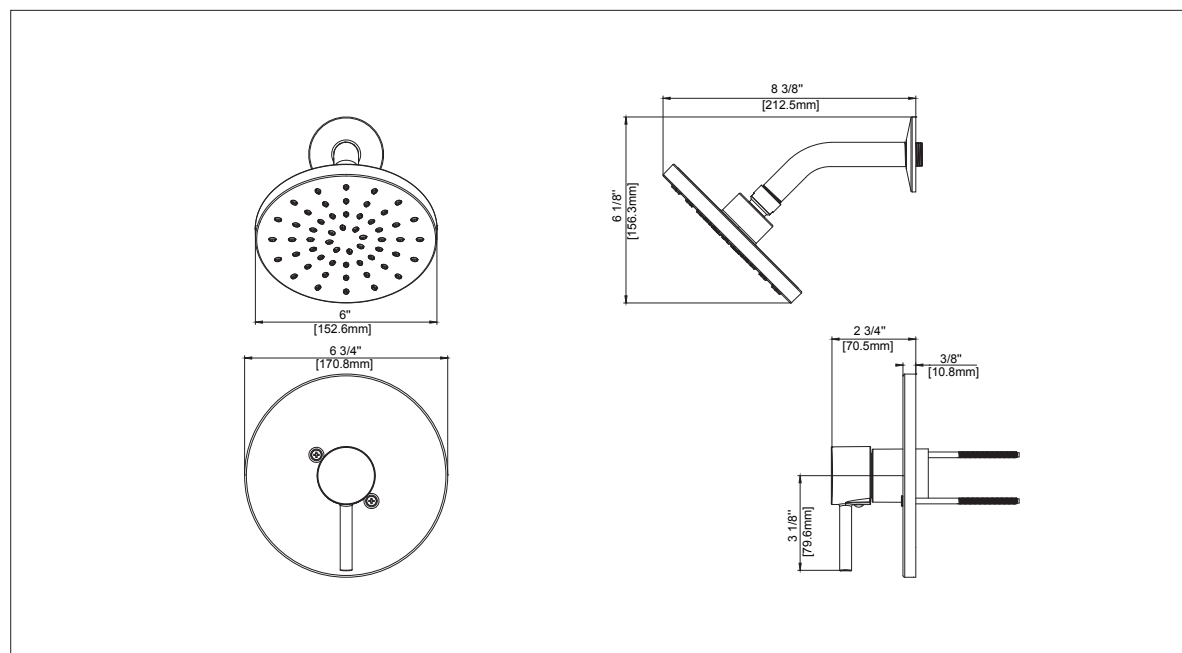
**OPH-720MBJP**

# Single Handle Shower Only Trim Kit

No.	Name	Part No.
1	Shower head / Cabezal de la ducha	RP38512*
2	Shower arm / Brazo de la ducha	RP38408*
3	Shower flange / Brida de la ducha	RP38046*
4	Sleeve / Funda	RP80624*
5	Escutcheon / Placa protectora	RP80781*
6	Escutcheon screw / Tornillo de la placa protectora	RP50055
7	Handle / Llave	RP13795*
8	Index / Índice	RP10042



\* Specify Finish  
\* Especificque el Acabado



TEL: 800-217-4603

Visit Our Web Site :

[www.omniprofaucets.com](http://www.omniprofaucets.com)

# Product Spec Sheet