

**OPH-320C**

**OPH-320SS**

**OmniPro**

## **Single Handle Bar Faucet**



### **FEATURES & BENEFITS**

- This Product Contains Less Than 0.25% Weighted Average Lead Content On Wetted Surfaces
- Metal Lever Handle
- Ceramic Cartridge
- Optional Deck Plate Included
- Max Flow Rate 1.5 gpm (5.7 L/min) at 60 psi (ASME A112.18.1M/A112.18.1)

OPH-320C  
Chrome Finish

OPH-320SS  
Stainless Steel Finish

#### **APPROVALS:**

**Meets or Exceeds The Following:**

- \* ANSI/ASME A112.18.1M/A112.18.1
- \* NSF/ANSI 61 - Sec. 9
- \* NSF/ANSI 372
- \* IAPMO/cUPC
- \* CA AB1953



NSF/ANSI 372  
NSF/ANSI 61-9



**Product Spec Sheet**

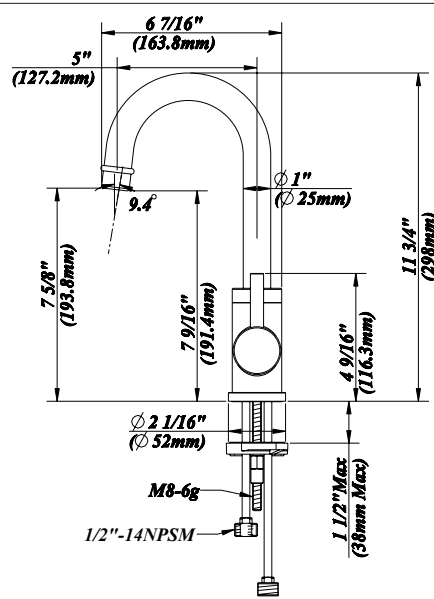
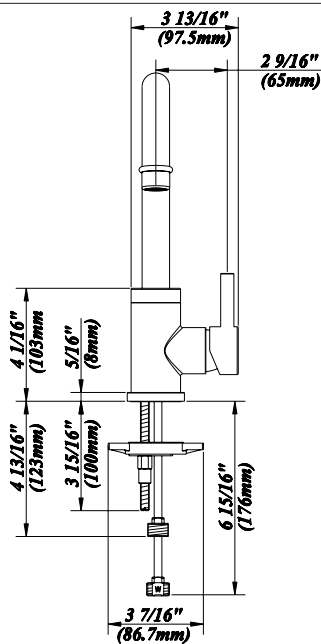
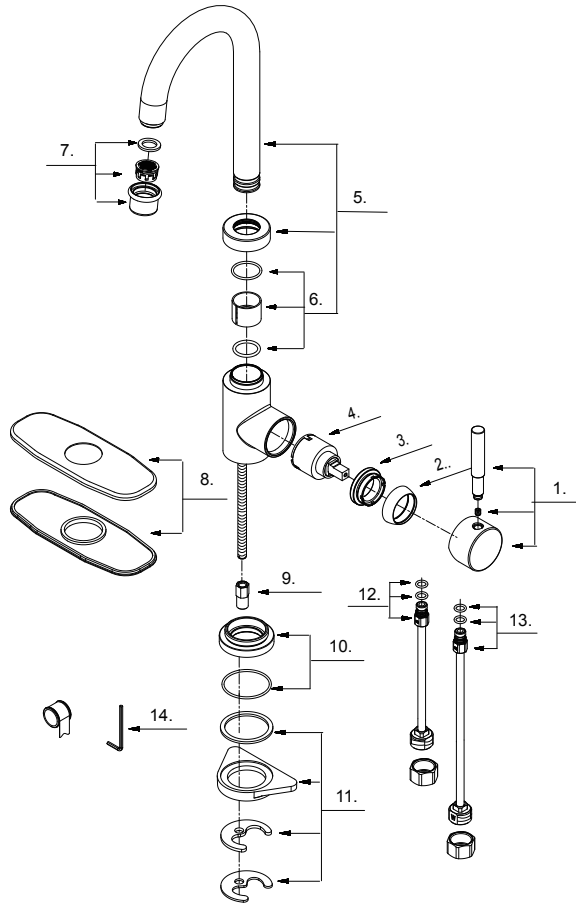
**TEL: 800-217-4603**

**FAX: 877-992-2846**

Visit Our Web Site : [www.omniprofaucets.com](http://www.omniprofaucets.com)

# Single Handle Bar Faucet

No.	Name	Part No.
1	Metal Handle Assembly	A66E701-Z
2	Trim Cap	A103205
3	Locking Nut	A104002
4	Ceramic Disc Cartridge	A507348N
5	Spout Assembly	A666269N
6	Spout Seal Kit	A66D066N
7	Aerator	A500023N-51
8	Cover Plate & Putty Plate	A663082
9	Locking Nut	A070135
10	Base Trim Ring	A66F032
11	Mounting Hardware	A66D551ZN
12	Supply Pipe-Cold	A664194W
13	Supply Pipe-Hot	A66D581W
14	Hex Wrench (H2.5 * 19 mm L * 53 mm L)	A031000NI



**Product Spec Sheet**