

□ **OPH-150C**   □ **OPH-150SS**

**OmniPro**

## **Single Handle Pulldown Kitchen Faucet**

# Product Spec Sheet



### **FEATURES & BENEFITS**

- This Product Contains Less Than 0.25% Weighted Average Lead Content On Wetted Surfaces
- Metal Lever Handle
- Ceramic Cartridge
- Optional Deck Plate Included
- Max Flow Rate 1.8 GPM (6.8 L/MIN) At 60 PSI (ASME A112.18.1M/A112.18.1)

OPH-150C  
Chrome Finish

OPH-150SS  
Stainless Steel Finish

#### **APPROVALS:**

**Meets or Exceeds The Following:**

- \* ANSI/ASME A112.18.1M/A112.18.1
- \* NSF/ANSI 61 - Sec. 9
- \* NSF/ANSI 372
- \* IAPMO/cUPC
- \* CA AB1953



NSF/ANSI 372  
NSF/ANSI 61-9



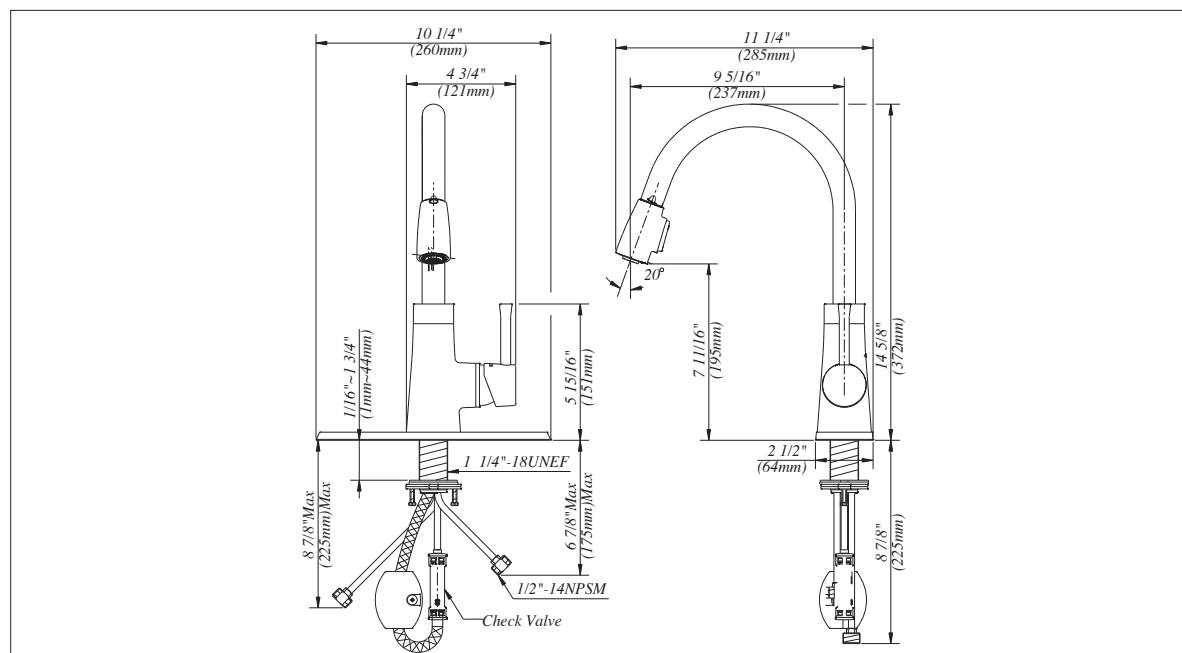
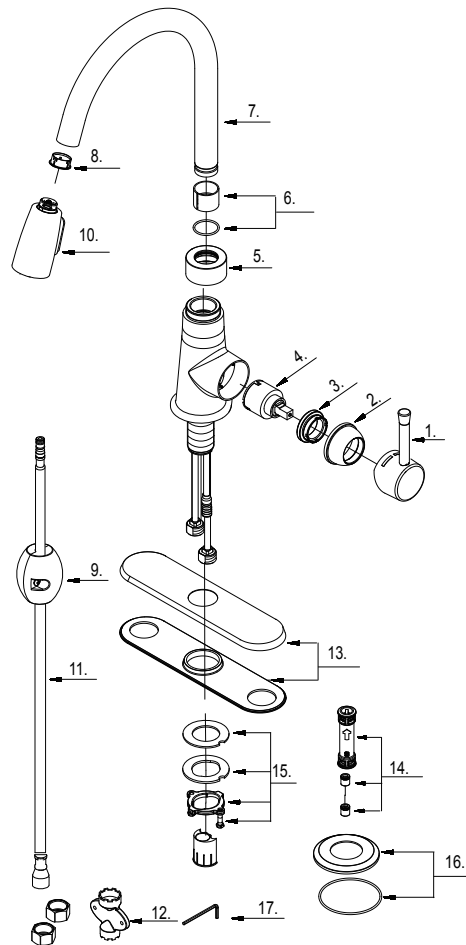
**TEL:** 800-217-4603

**FAX:** 877-992-2846

Visit Our Web Site : [www.omniprofaucets.com](http://www.omniprofaucets.com)

# Single Handle Pulldown Kitchen Faucet

No.	Name	Part No.
1	Metal Handle Assembly	A602251
2	Trim Cap	A103270
3	Locking Nut	A104002
4	Ceramic Disc Cartridge	A507348N
5	Adapter	A057293
6	Spout Seal Kit	A66D047
7	Tube Assembly	A064222
8	Hose Guide	A126048KP
9	Weight	A504713
10	Spray Head	A523456W-54
11	Supply Hose	A515111W
12	Aerator Wrench	A031237GR
13	Cover Plate & Putty Plate	A667236CP
14	Hose Adaptor Assembly	A663123N
15	Mounting Hardware Assembly	A603171
16	Body Trim Ring	A607134
17	Hex Wrench (H 2.5 * 19 mm L * 53 mm L)	A031000NI



**Product Spec Sheet**