

OPC-730C
 OPC-720C
 OPC-700C
 OPC-730CJP
 OPC-720CJP
 OPC-700CJP

OmniPro

Single Handle Tub & Shower Faucet

Product Spec Sheet



FEATURES & BENEFITS

- Metal Lever Handle
- Washerless Pressure Balancing Valve
- Slip Fit Diverter Spout
- Max Flow Rate 1.75 gpm (6.6 L/min) at 80 psi
- Min Flow Rate 1.3 gpm (4.92 L/min) at 45 psi (ASME A112.18.1M/A112.18.1)

APPROVALS:

Meets or Exceeds The Following:

- * ANSI/ASME A112.18.1M/A112.18.1
- * IAPMO/cUPC

OPC-730C
Tub & Shower Faucet
Chrome Finish

OPC-720C
Shower Only Faucet
Chrome Finish

OPC-700C
Valve Only Faucet
Chrome Finish

OPC-730CJP
Trim Kit For Tub & Shower Faucet
Chrome Finish

OPC-720CJP
Trim Kit For Shower Only Faucet
Chrome Finish

OPC-700CJP
Trim Kit For Valve Only Faucet
Chrome Finish



* WaterSense Only On Models Containing Showerheads

TEL: 800-217-4603

FAX: 877-992-2846

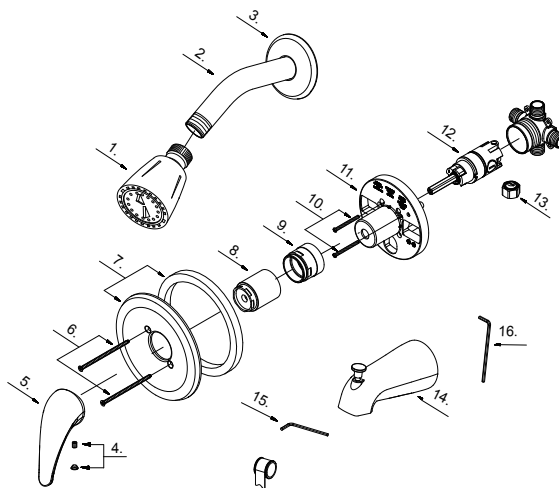
Visit Our Web Site : www.omniprofaucets.com

OPC-730C **OPC-720C** **OPC-700C**
 OPC-730CJP **OPC-720CJP** **OPC-700CJP**

OmniPro

Single Handle Tub & Shower Faucet

No.	Name	Part No.
1	Shower Head	S1213202
2	Shower Arm	A020002
3	Shower Arm Flange	A019001
4	Handle Cap	A66D569
5	Metal Handle	A029048
6	Screw Set (3/16" -24 * 4" L)	A608563
7	Escutcheon Assembly	A667915
8	Sleeve	A103322
9	Retainer Nut	A103310
10	Screw Set (3/16" -24 * 2-3/16" L)	A608519
11	Plaster Guard	A127007
12	Washerless Cartridge Assembly	A507975
13	Plug	A028452
14	Spout W/Diverter	A118011
15	Hex Wrench (H2.5 * 19 mm L * 53 mm L)	A031000NI
16	Hex Wrench (H3.18 * 20 mm L * 90 mm L)	A031017NI



Product Spec Sheet

