

4" Single Handle Lavatory Faucet

Product Spec Sheet



FEATURES & BENEFITS

- This Product Contains Less Than 0.25% Weighted Average Lead Content On Wetted Surfaces
- Metal Lever Handle
- Washerless Cartridge
- With 50/50 Pop-up
- Max Flow Rate 1.2 gpm (4.5 L/min) at 60 psi (ASME A112.18.1M/A112.18.1)

OPC-550CJP
Chrome Finish

OPC-550BNJP
Brushed Nickel Finish

APPROVALS:

Meets or Exceeds The Following:

- * ANSI/ASME A112.18.1M/A112.18.1
- * NSF/ANSI 61 - Sec. 9
- * NSF/ANSI 372
- * IAPMO/cUPC
- * CA AB1953



NSF/ANSI 372
NSF/ANSI 61-9



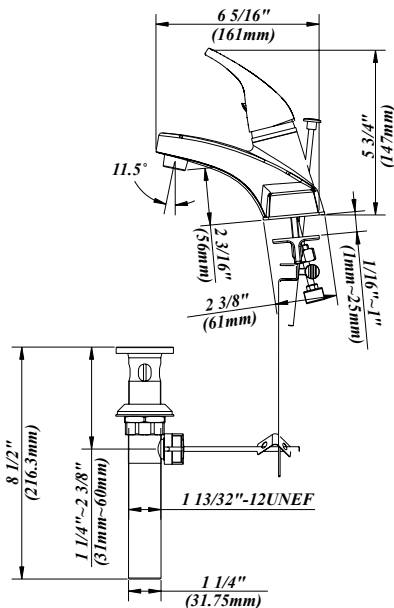
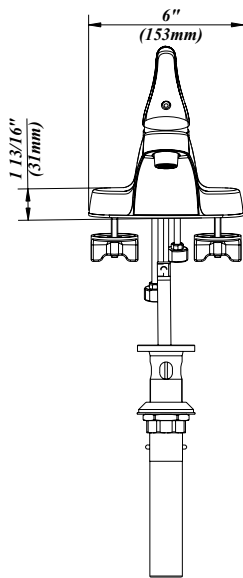
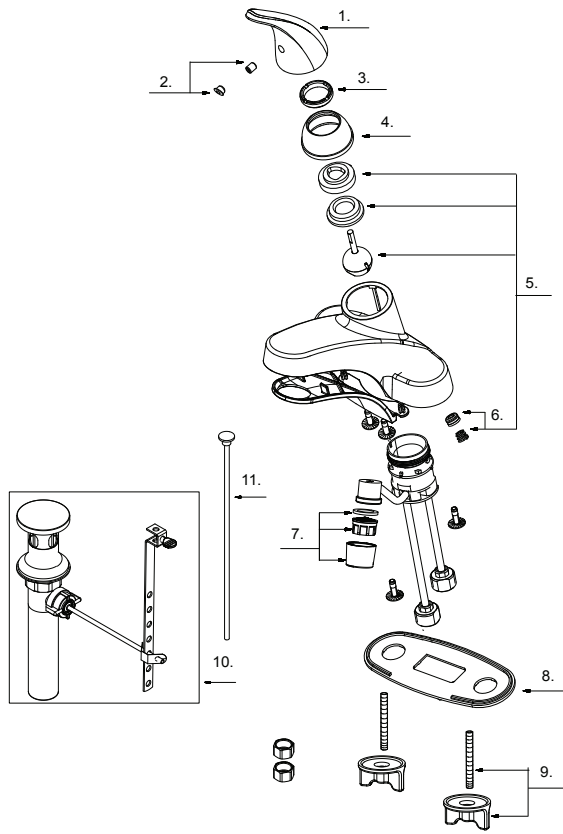
TEL: 800-217-4603

FAX: 877-992-2846

Visit Our Web Site : www.omniprofaucets.com

4" Single Handle Lavatory Faucet

No.	Name	Part No.
1	Metal Handle	A069549
2	Index Button-Cold/Hot	A66D567
3	Locking Nut	A104001
4	Trim Cap	A103022
5	Ball Valve Assembly	A66D641N
6	Seat & Spring Set *2	A663002
7	Aerator	A500267N-55-P
8	Putty Plate	A011094
9	Mounting Hardware	A504036
10	Pop-up Assembly	A556201
11	Lift Rod	A025489



Product Spec Sheet