

- OPC-500C**       **OPC-500BN**
- OPC-500CL**     **OPC-500BNL**



## 4" Single Handle Lavatory Faucet

# Product Spec Sheet



### FEATURES & BENEFITS

- This Product Contains Less Than 0.25% Weighted Average Lead Content On Wetted Surfaces
- Metal Lever Handle
- Stainless Steel Ball Valve
- Brass Pop-up
- Max Flow Rate 1.2 gpm (4.5 L/min) at 60 psi (ASME A112.18.1M/A112.18.1)

#### APPROVALS:

Meets or Exceeds The Following:

- \* ANSI/ASME A112.18.1M/A112.18.1
- \* NSF/ANSI 61 - Sec. 9
- \* NSF/ANSI 372
- \* IAPMO/cUPC
- \* CA AB1953

OPC-500C  
Chrome Finish

OPC-500BN  
Brushed Nickel Finish

OPC-500CL  
Less Pop-up  
Chrome Finish

OPC-500BNL  
Less Pop-up  
Brushed Nickel Finish



NSF/ANSI 372  
NSF/ANSI 61-9



**TEL:** 800-217-4603

**FAX:** 877-992-2846

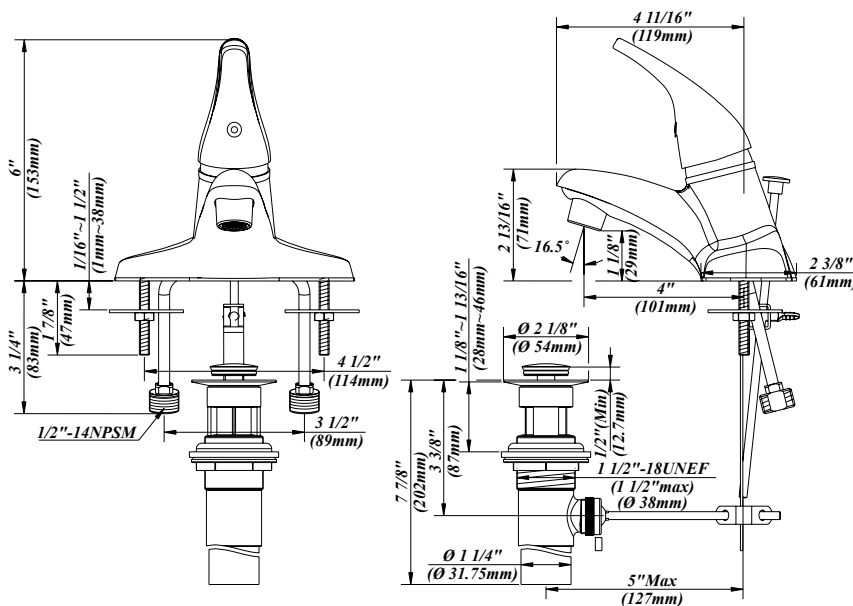
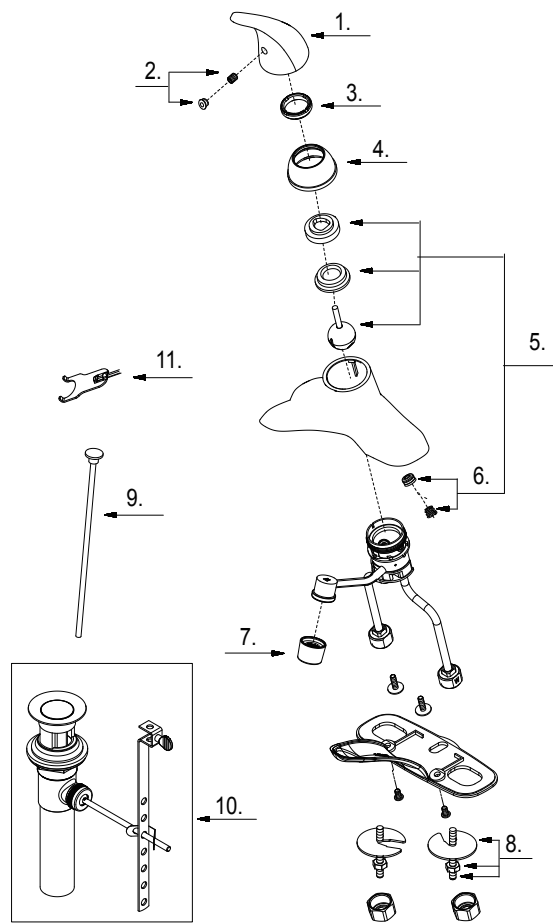
Visit Our Web Site : [www.omniprofaucets.com](http://www.omniprofaucets.com)

- OPC-500C**       **OPC-500BN**
- OPC-500CL**     **OPC-500BNL**



# 4" Single Handle Lavatory Faucet

No.	Name	Part No.
1	Metal Handle	A069549
2	Index Button-Cold/Hot	A66D567
3	Lock Nut Set	A104001
4	Trim Cap	A103022
5	Ball Valve Assembly	A66D641N
6	Seat & Spring Set	A663002
7	Aerator	A500267N-64
8	Mounting Hardware	A663638
9	Lift Rod	A025011
10	Pop-up Assembly	A556200
11	Wrench	A031001NI



Product Spec Sheet

TEL: 800-217-4603      FAX: 877-992-2846

Visit Our Web Site : [www.omniprofaucets.com](http://www.omniprofaucets.com)