

4" Two Handle Lavatory Faucet

Product Spec Sheet



FEATURES & BENEFITS

- This Product Contains Less Than 0.25% Weighted Average Lead Content On Wetted Surfaces
- Wrist Blade Handles
- Washerless Cartridges
- Max Flow Rate 1.2 gpm (4.5 L/min) at 60 psi (ASME A112.18.1M/A112.18.1)

OPC-400CLB
Less Pop-up
Chrome Finish

APPROVALS:

Meets or Exceeds The Following:

- * ANSI/ASME A112.18.1M/A112.18.1
- * NSF/ANSI 61 - Sec. 9
- * NSF/ANSI 372
- * IAPMO/cUPC
- * CA AB1953



NSF/ANSI 372
NSF/ANSI 61-9



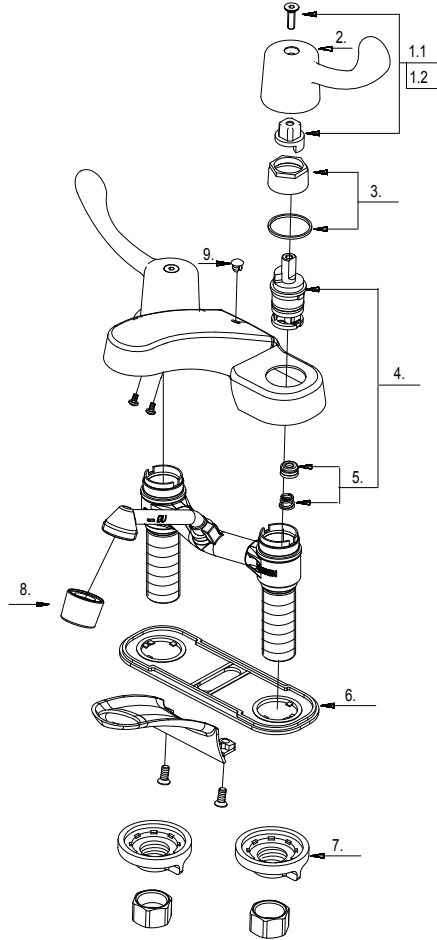
TEL: 800-217-4603

FAX: 877-992-2846

Visit Our Web Site : www.omniprofaucets.com

4" Two Handle Lavatory Faucet

No.	Name	Part No.
1.1	Handle Adaptor-Cold	A663306C
1.1	Handle Adaptor-Hot	A663306H
2	Metal Handle	A069796
3	Retainer Nut & Washer	A663631
4	Cartridge Assembly	A66D091N
5	Seat & Spring Set	A663002
6	Putty Plate	A011034
7	Lock Nut Set	A504023
8	Aerator	A500267N-64
9	Lift Rod Plug	A028002



Product Spec Sheet

