

## **4" Two Handle Bar Faucet**



**Product Spec Sheet**

### **FEATURES & BENEFITS**

OPC-320CB  
Chrome Finish

- This Product Contains Less Than 0.25% Weighted Average Lead Content On Wetted Surfaces
- Wrist Blade Handles
- Washerless Cartridges
- Max Flow Rate 1.5 gpm (5.7 L/min) at 60 psi (ASME A112.18.1M/A112.18.1)

#### **APPROVALS:**

**Meets or Exceeds The Following:**

- \* ANSI/ASME A112.18.1M/A112.18.1
- \* NSF/ANSI 61 - Sec. 9
- \* NSF/ANSI 372
- \* IAPMO/cUPC
- \* CA AB1953



NSF/ANSI 372  
NSF/ANSI 61-9



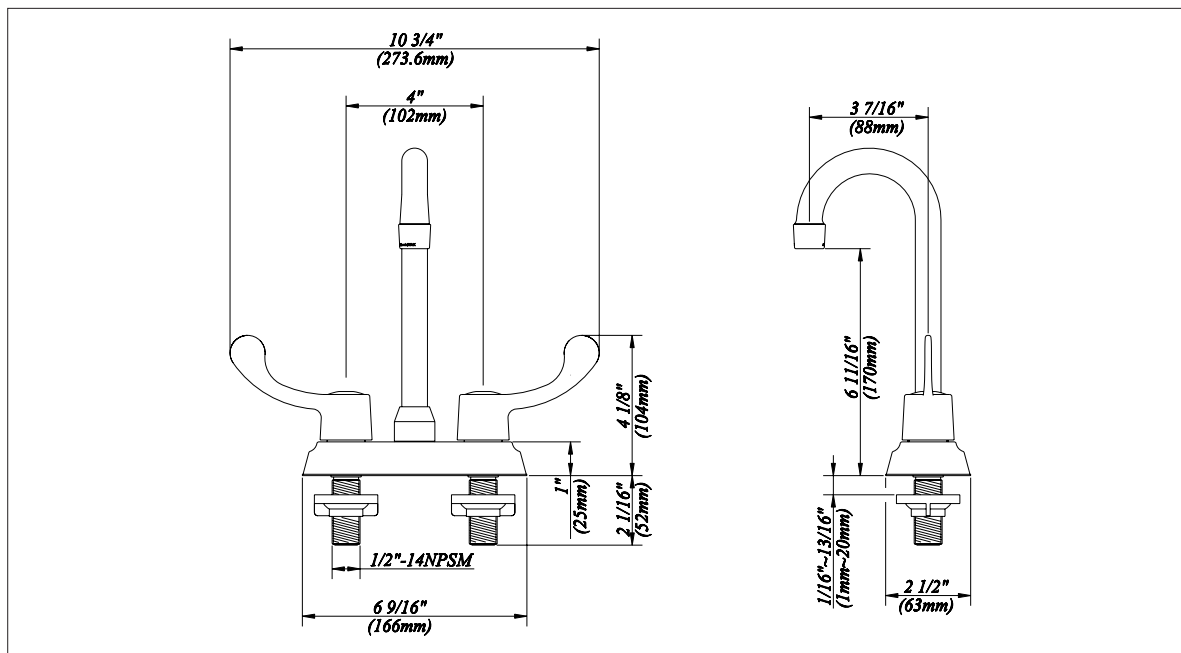
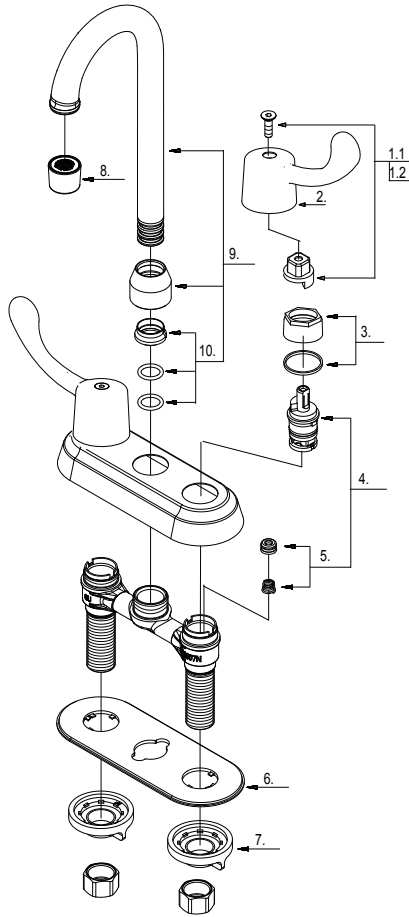
**TEL: 800-217-4603**

**FAX: 877-992-2846**

Visit Our Web Site : [www.omniprofaucets.com](http://www.omniprofaucets.com)

# 4" Two Handle Bar Faucet

No.	Name	Part No.
1.1.	Handle Adaptor-Cold	A663306C
1.2.	Handle Adaptor-Hot	A663306H
2.	Metal Handle	A069796
3.	Retainer Nut & Washer	A663629
4.	Cartridge Assembly	A66D636N
5.	Seat & Spring Set * 2	A663002
6.	Putty Plate	A011076
7.	Lock Nut Set	A504023
8.	Aerator	A500871N-51
9.	Spout Assembly	A666090N
10.	Spout Seal Kit	A603235N



**Product Spec Sheet**