

8" Two Handle Kitchen Faucet



FEATURES & BENEFITS

- This Product Contains Less Than 0.25% Weighted Average Lead Content On Wetted Surfaces
- Acrylic Round Handles
- Washerless Cartridges
- With Black Side Spray
- Max Flow Rate 1.5 gpm (5.7 L/min) at 60 psi (ASME A112.18.1M/A112.18.1)

OPC-242C
Chrome Finish

OPC-202C
Less Side Spray
Chrome Finish

APPROVALS:

Meets or Exceeds The Following:

- * ANSI/ASME A112.18.1M/A112.18.1
- * NSF/ANSI 61 - Sec. 9
- * NSF/ANSI 372
- * IAPMO/cUPC
- * CA AB1953



NSF/ANSI 372
NSF/ANSI 61-9



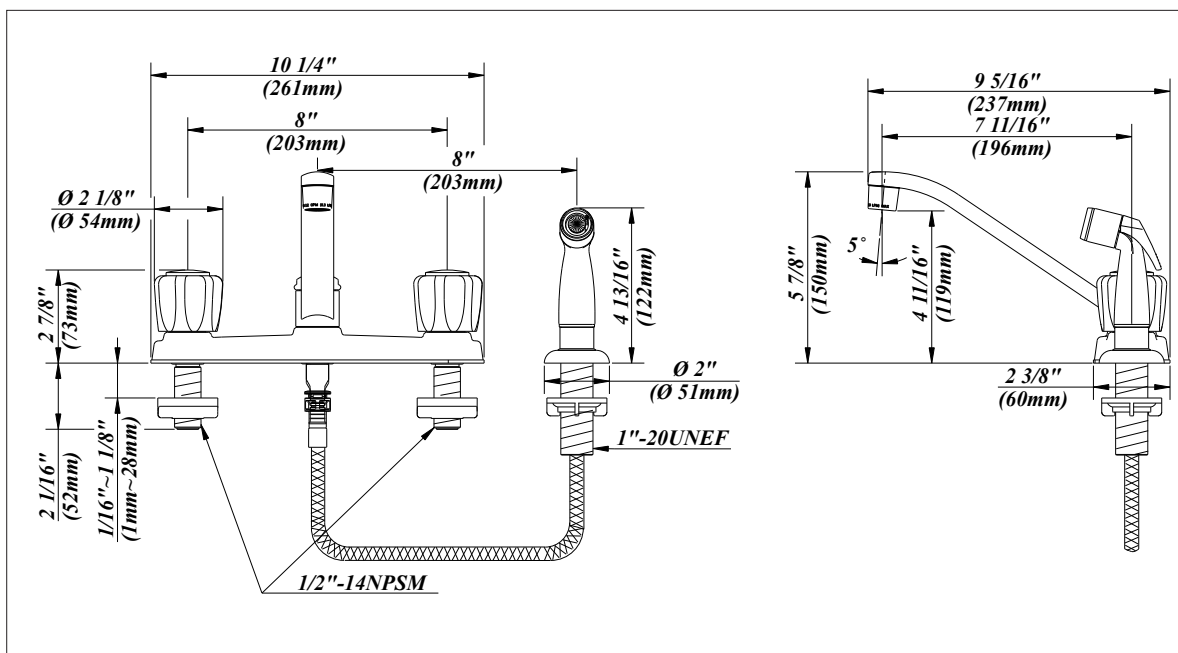
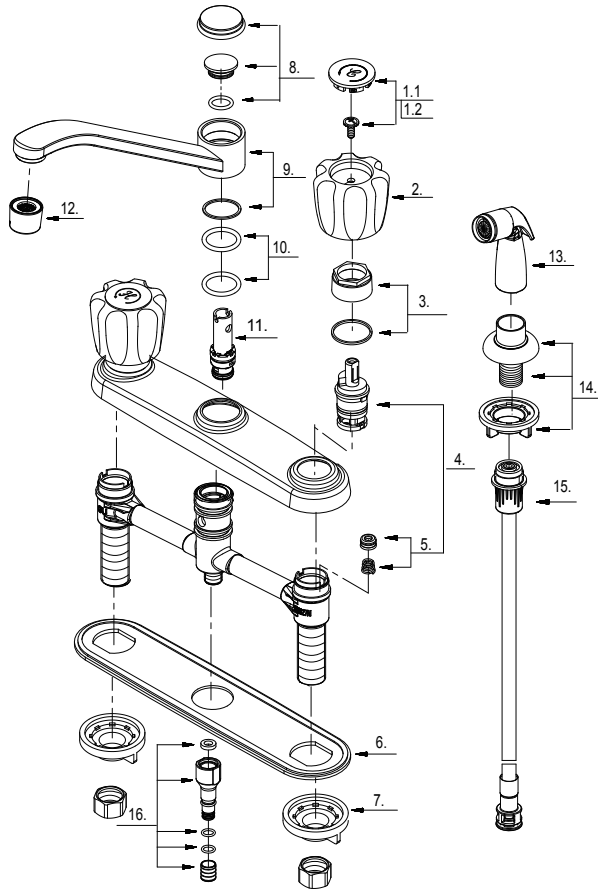
TEL: 800-217-4603

FAX: 877-992-2846

Visit Our Web Site : www.omniprofaucets.com

8" Two Handle Kitchen Faucet

| No. | Name | Part No. |
|-----|--|-------------|
| 1.1 | Index Button-Cold | A66E233C |
| 1.2 | Index Button-Hot | A66E233H |
| 2 | Acrylic Handle | A029001 |
| 3 | Retainer Nut & Washer | A663631 |
| 4 | Cartridge Assembly | A66D636N |
| 5 | Seat & Spring Set | A663002 |
| 6 | Putty Plate | A011125 |
| 7 | Lock Nut Set | A504023 |
| 8 | Spout Trim Cap | A663163N |
| 9 | Spout Set | A66D585N |
| 10 | O-Ring Set ($\Phi 7/8"$ ID * $\Phi 1-1/8"$ OD) | A668000N |
| 11 | Spray Diverter w/Vacuum Breaker | A66G391 |
| 12 | Aerator | A500871N-51 |
| 13 | Side Spray | A503000N |
| 14 | Spray Holder Assembly (3-15/16" L) | A664255-P |
| 15 | Spray Hose | A512139NKP |
| 16 | Sealing Kit | A66G352N |



Product Spec Sheet