

- OPC-100C**     **OPC-100SS**
- OPC-140C**     **OPC-140SS**



## **8" Single Handle Kitchen Faucet**

# Product Spec Sheet



### **FEATURES & BENEFITS**

- This Product Contains Less Than 0.25% Weighted Average Lead Content On Wetted Surfaces
- Metal Lever Handle
- Stainless Steel Ball Valve
- With Side Spray
- Max Flow Rate 1.5 gpm (5.7 L/min) at 60 psi (ASME A112.18.1M/A112.18.1)

#### **APPROVALS:**

**Meets or Exceeds The Following:**

- \* ANSI/ASME A112.18.1M/A112.18.1
- \* NSF/ANSI 61 - Sec. 9
- \* NSF/ANSI 372
- \* IAPMO/cUPC
- \* CA AB1953

OPC-140C  
Chrome Finish

OPC-140SS  
Stainless Steel Finish

OPC-100C  
Less Side Spray  
Chrome Finish

OPC-100SS  
Less Side Spray  
Stainless Steel Finish



NSF/ANSI 372  
NSF/ANSI 61-9



**TEL: 800-217-4603**

**FAX: 877-992-2846**

Visit Our Web Site : [www.omniprofaucets.com](http://www.omniprofaucets.com)

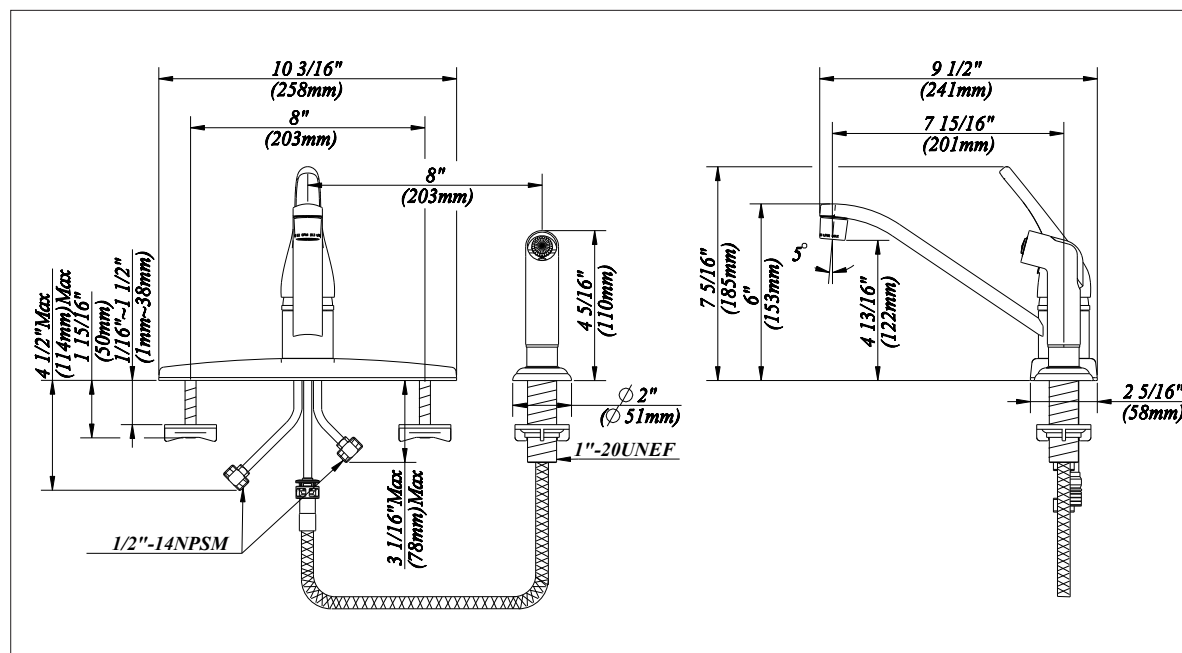
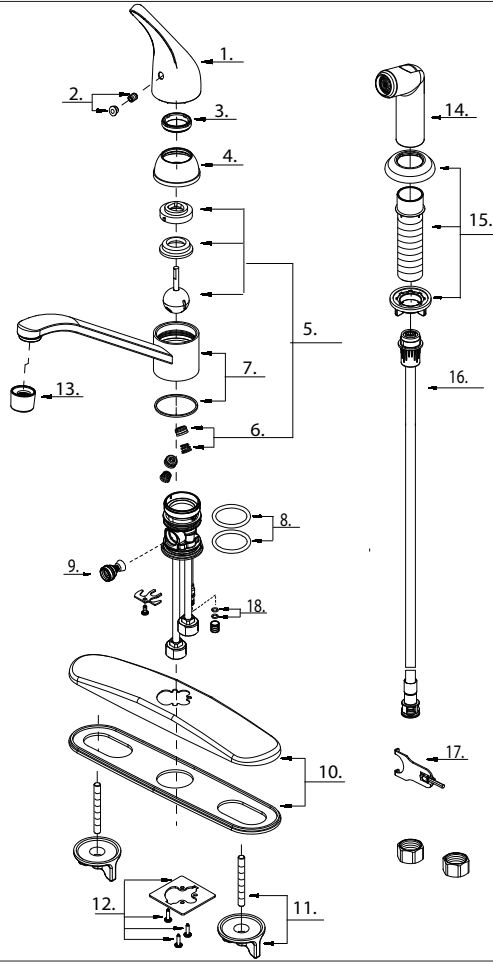
**OPC-100C**  
 **OPC-140C**

**OPC-100SS**  
 **OPC-140SS**

**OmniPro**

# 8" Single Handle Kitchen Faucet

No.	Name	Part No.
1	Metal Handle	A069121
2	Index Button-Cold/Hot	A66D567
3	Locking Nut	A104001
4	Trim Cap	A103022
5	Ball Valve Assembly	A66D641N
6	Seat & Spring Set	A663002
7	Spout Set	A66D589N
8	O-Ring Set ( $\Phi$ 1-1/4" ID * $\Phi$ 1-1/2" OD)	A608220
9	Spray Diverter w/Vacuum Breaker	A501374N
10	Cover Plate & Putty Plate	A66F038-T
11	Mounting Hardware	A66G421
12	Base Mounting Hardware	A66G416-T
13	Aerator	A500871N-51
14	Side Spray	A503002N
15	Spray Holder Assembly (2-1/2" L)	A664250-P
16	Spray Hose	A512139N
17	Wrench	A031001NI
18	O-Ring Set	A668178N



**Product Spec Sheet**