

4" Two Handle Lavatory Faucet



Product Spec Sheet

FEATURES & BENEFITS

- This Product Contains Less Than 0.25% Weighted Average Lead Content On Wetted Surfaces
- Metal Lever Handles
- Washerless Cartridges
- With 50/50 Pop-up
- Max Flow Rate 1.2 gpm (4.5 L/min) at 60 psi (ASME A112.18.1M/A112.18.1)

OPB-450CWJP
Chrome Finish

OPB-450BNWJP
Brushed Nickel Finish

APPROVALS:

Meets or Exceeds The Following:

- * ANSI/ASME A112.18.1M/A112.18.1
- * NSF/ANSI 61 - Sec. 9
- * NSF/ANSI 372
- * IAPMO/cUPC
- * CA AB1953



NSF/ANSI 372
NSF/ANSI 61-9



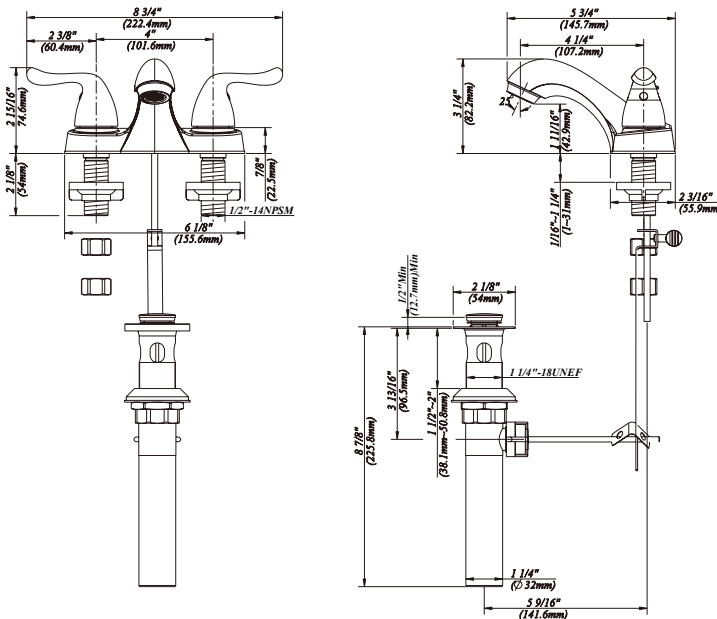
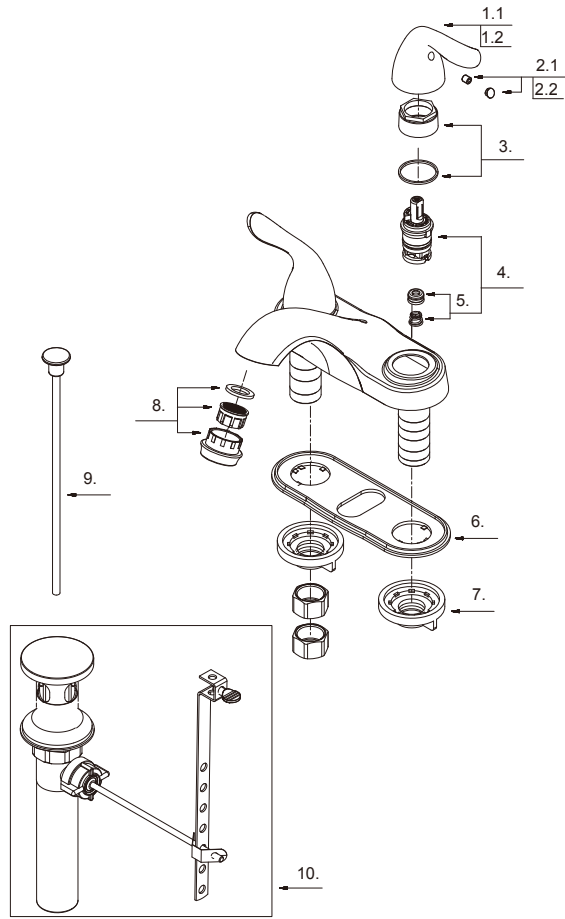
TEL: 800-217-4603

FAX: 877-992-2846

Visit Our Web Site : www.omniprofaucets.com

4" Two Handle Lavatory Faucet

No.	Name	Part No.
1.1	Metal Handle-Cold	A069439C
1.2	Metal Handle-Hot	A069439H
2.1	Index Button-Cold	A66G472C
2.2	Index Button-Hot	A66G472H
3	Retainer Nut & Washer	A663631
4	Cartridge Assembly	A663003N-W
5	Seat & Spring Set * 2	A663002
6	Putty Plate	A011045
7	Lock Nut Set	A504023
8	Aerator	A500157N-51
9	Lift Rod	A025010
10	Pop-up Assembly	A556201



Product Spec Sheet