

**OPB-400CL**  
 **OPB-400BN**

**OPB-400C**  
 **OPB-400ORB**

**OmniPro**

## 4" Two Handle Lavatory Faucet



### FEATURES & BENEFITS

- This Product Contains Less Than 0.25% Weighted Average Lead Content On Wetted Surfaces
- Metal Lever Handles
- Ceramic Cartridges
- Brass Pop-up
- Max Flow Rate 1.2 gpm (4.5 L/min) at 60 psi (ASME A112.18.1M/A112.18.1)

#### APPROVALS:

Meets or Exceeds The Following:

- \* ANSI/ASME A112.18.1M/A112.18.1
- \* NSF/ANSI 61 - Sec. 9
- \* NSF/ANSI 372
- \* IAPMO/cUPC
- \* CA AB1953

OPB-400C  
Chrome Finish

OPB-400BN  
Brushed Nickel Finish

OPB-400ORB  
Oil Rubbed Bronze Finish

OPB-400CL  
Less Pop-up  
Chrome Finish



NSF/ANSI 372  
NSF/ANSI 61-9



**TEL: 800-217-4603**

**FAX: 877-992-2846**

Visit Our Web Site : [www.omniprofaucets.com](http://www.omniprofaucets.com)

**Product Spec Sheet**

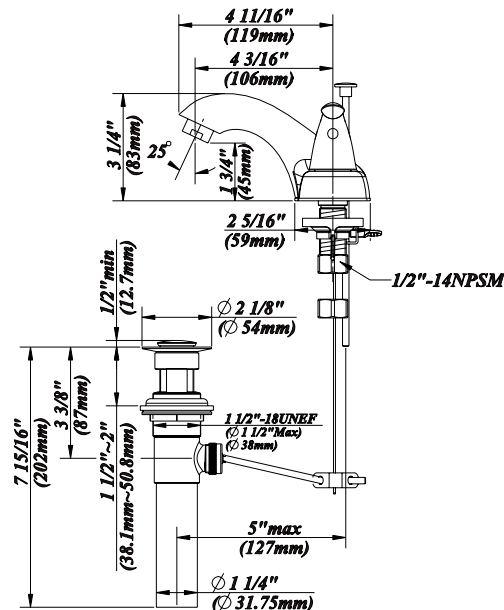
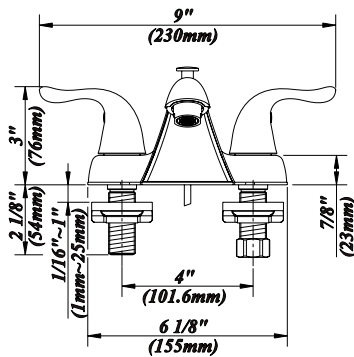
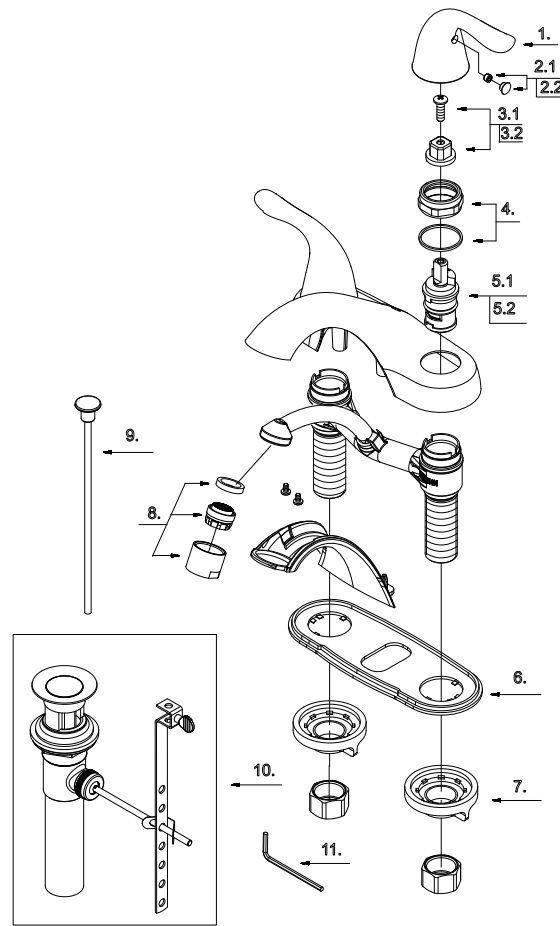
□ **OPB-400CL**  
 □ **OPB-400BN**

□ **OPB-400C**  
 □ **OPB-400ORB**

**OmniPro**

# 4" Two Handle Lavatory Faucet

No.	Name	Part No.
1	Metal Handle Assembly	A069115
2.1	Index Button-Cold	A603595C
2.2	Index Button-Hot	A603595H
3.1	Handle Adaptor-Cold	A66D574C
3.2	Handle Adaptor-Hot	A66D574H
4	Retainer Nut & Washer	A663631
5.1	Ceramic Disc Cartridge -Cold	A507104N
5.2	Ceramic Disc Cartridge -Hot	A507103N
6	Putty Plate	A011005
7	Lock Nut Set	A504023
8	Aerator	A500124N-55
9	Lift Rod	A025011
10	Pop-up Assembly	A556200
11	Hex Wrench (H2.5 * 19 mm L * 53 mm L)	A031000NI



**Product Spec Sheet**

TEL: 800-217-4603 FAX: 877-992-2846

Visit Our Web Site : [www.omniprofaucets.com](http://www.omniprofaucets.com)