

OPB-320C
 OPB-320ORB

OPB-320SS

OmniPro

4" Two Handle Bar Faucet



FEATURES & BENEFITS

- This Product Contains Less Than 0.25% Weighted Average Lead Content On Wetted Surfaces
- Metal Lever Handles
- Ceramic Cartridges
- Max Flow Rate 1.5 gpm (5.7 L/min) at 60 psi (ASME A112.18.1M/A112.18.1)

OPB-320C
Chrome Finish

OPB-320SS
Stainless Steel Finish

OPB-320ORB
Oil Rubbed Bronze Finish

APPROVALS:

Meets or Exceeds The Following:

- * ANSI/ASME A112.18.1M/A112.18.1
- * NSF/ANSI 61 - Sec. 9
- * NSF/ANSI 372
- * IAPMO/cUPC
- * CA AB1953



NSF/ANSI 372
NSF/ANSI 61-9



TEL: 800-217-4603

FAX: 877-992-2846

Visit Our Web Site : www.omniprofaucets.com

Product Spec Sheet

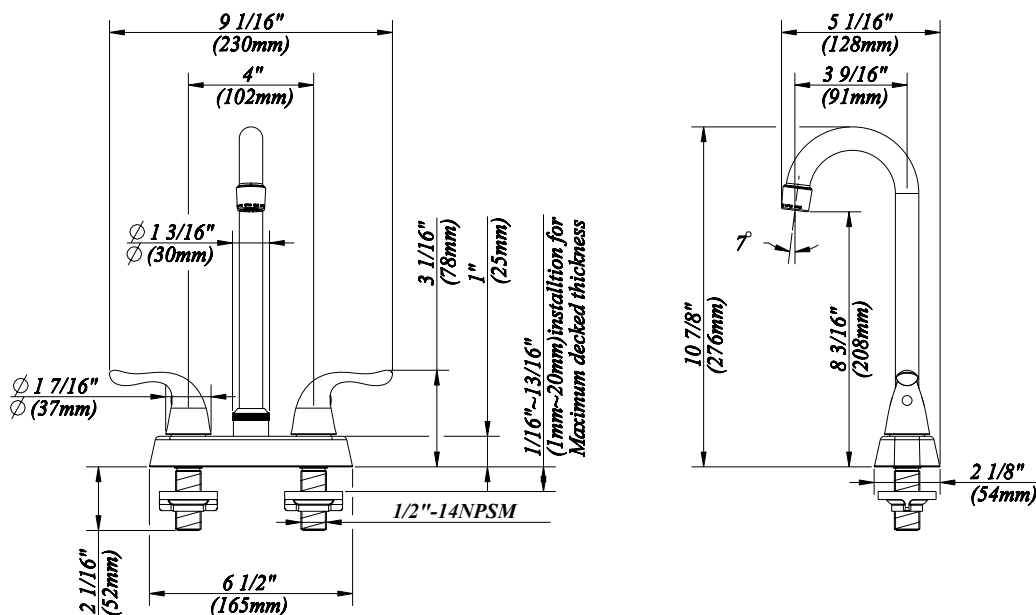
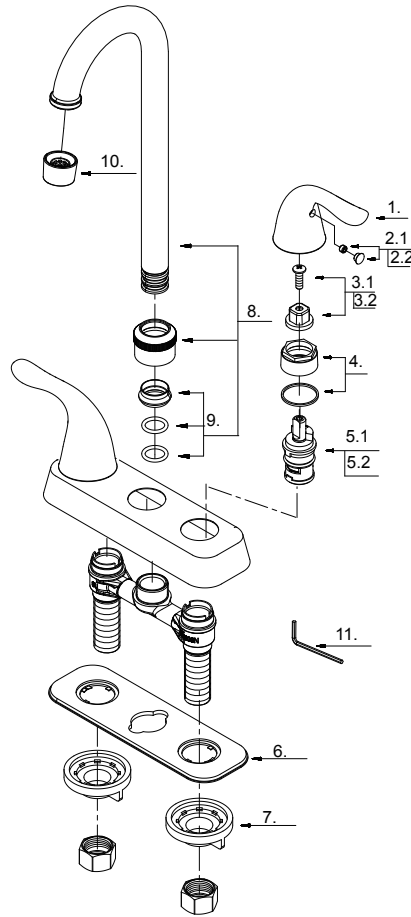
OPB-320C
 OPB-320ORB

OPB-320SS

OmniPro

4" Two Handle Bar Faucet

No.	Name	Part No.
1	Metal Handle Assembly	A069115
2.1	Index Button-Cold	A603595C
2.2	Index Button-Hot	A603595H
3.1	Handle Adaptor-Cold	A66D574C
3.2	Handle Adaptor-Hot	A66D574H
4	Retainer Nut & Washer	A663629
5.1	Ceramic Disc Cartridge-Cold	A507104N
5.2	Ceramic Disc Cartridge-Hot	A507103N
6	Putty Plate	A011018NF
7	Lock Nut Set	A504023
8	Spout Assembly	A606274N-P
9	Spout Seal Kit	A603235N
10	Aerator	A500871N-51
11	Wrench (H2.5 * 19 mm L * 53mmL)	A031000NI



Product Spec Sheet

TEL: 800-217-4603 FAX: 877-992-2846

Visit Our Web Site : www.omniprofaucets.com