

**OPB-250C**    **OPB-250SS**  
 **OPB-260C**    **OPB-260SS**    **OPB-260ORB**

**OmniPro**

## 8" Two Handle Kitchen Faucet



### FEATURES & BENEFITS

- This Product Contains Less Than 0.25% Weighted Average Lead Content On Wetted Surfaces
- Metal Lever Handles
- Ceramic Cartridges
- With Side Spray
- Max Flow Rate 1.5 gpm (5.7 L/min) at 60 psi (ASME A112.18.1M/A112.18.1)

#### APPROVALS:

Meets or Exceeds The Following:

- \* ANSI/ASME A112.18.1M/A112.18.1
- \* NSF/ANSI 61 - Sec. 9
- \* NSF/ANSI 372
- \* IAPMO/cUPC
- \* CA AB1953

OPB-260C  
Chrome Finish

OPB-260SS  
Stainless Steel Finish

OPB-260ORB  
Oil Rubbed Bronze Finish

OPB-250C  
Less Side Spray  
Chrome Finish

OPB-250SS  
Less Side Spray  
Stainless Steel Finish



NSF/ANSI 372  
NSF/ANSI 61-9



**Product Spec Sheet**

**TEL:** 800-217-4603

**FAX:** 877-992-2846

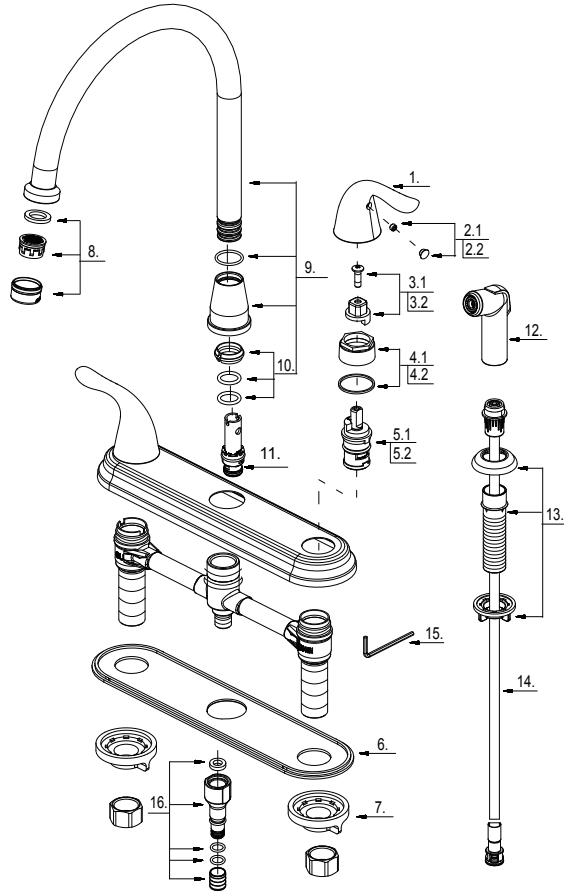
Visit Our Web Site : [www.omniprofaucets.com](http://www.omniprofaucets.com)

**OPB-250C**    **OPB-250SS**  
 **OPB-260C**    **OPB-260SS**    **OPB-2600RB**

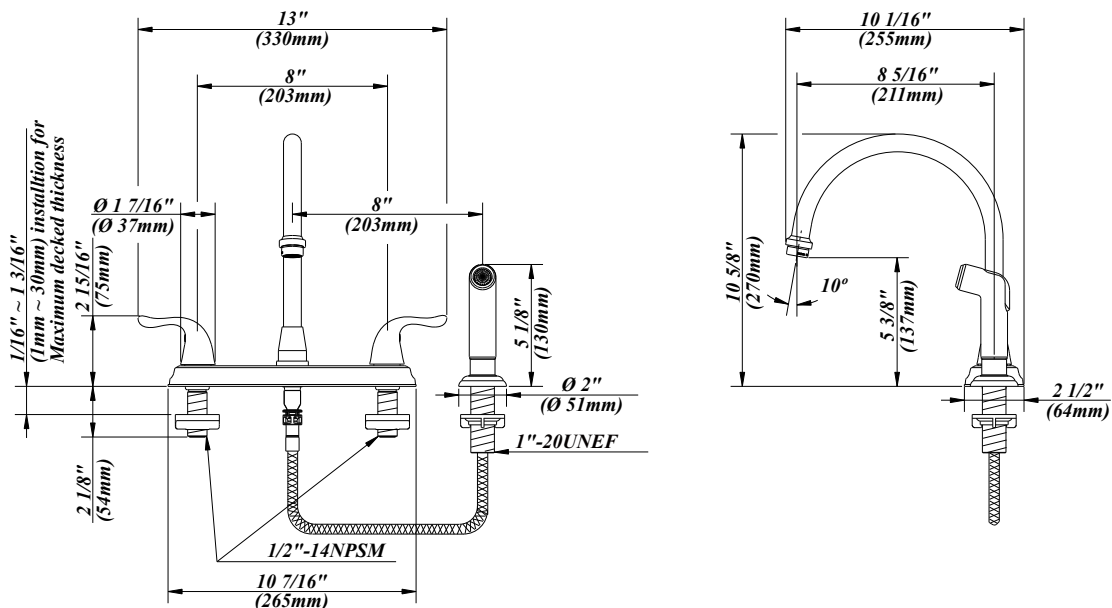
**OmniPro**

# 8" Two Handle Kitchen Faucet

No.	Name	Part No.
1	Metal Handle	A069115CP
2.1	Index Button-Cold	A603595C
2.2	Index Button-Hot	A603595H
3.1	Handle Adaptor-Cold	A66D574C
3.2	Handle Adaptor-Hot	A66D574H
4	Retainer Nut & Washer	A663629
5.1	Ceramic Disc Cartridge-Cold	A507104N
5.2	Ceramic Disc Cartridge-Hot	A507103N
6	Putty Plate	A011003
7	Lock Nut Set	A504023
8	Aerator	A500872N-51
9	Spout Assembly	A666125N
10	Spout Seal Kit	A663044N
11	Spray Diverter w/Vacuum Breaker	A66G391
12	Side Spray	A503002N
13	Spray Holder Assembly (3-15/16" L)	A664250-P
14	Spray Hose	A512139N
15	Hex Wrench (H2.5 * 19 mm L * 53 mm L)	A031000NI
16	Sealing Kit	A66G352N



**Product Spec Sheet**



TEL: 800-217-4603      FAX: 877-992-2846

Visit Our Web Site : [www.omniprofaucets.com](http://www.omniprofaucets.com)