

**OPB-153C**

**OPB-153SS**

Omni**pro**

**OPB-153ORB**

## **Single Handle Pullout Kitchen Faucet**



### **FEATURES & BENEFITS**

- This Product Contains Less Than 0.25% Weighted Average Lead Content On Wetted Surfaces
- Metal Lever Handle
- Ceramic Cartridge
- 1 Or 3 Hole Installation
- Optional Deck Plate Included
- Max Flow Rate 1.5 gpm (5.7 L/min) at 60 psi (ASME A112.18.1M/A112.18.1)

OPB-153C  
Chrome Finish

OPB-153SS  
Stainless Steel Finish

OPB-153ORB  
Oil Rubbed Bronze Finish

### **APPROVALS:**

**Meets or Exceeds The Following:**

- \* ANSI/ASME A112.18.1M/A112.18.1
- \* NSF/ANSI/CAN 61 – Sec. 9: Q≤1
- \* NSF/ANSI/CAN 372
- \* IAPMO/cUPC
- \* CA AB1953



**Product Spec Sheet**

**TEL: 800-217-4603**

**Visit Our Web Site : [www.omniprofaucets.com](http://www.omniprofaucets.com)**

**OPB-153C**

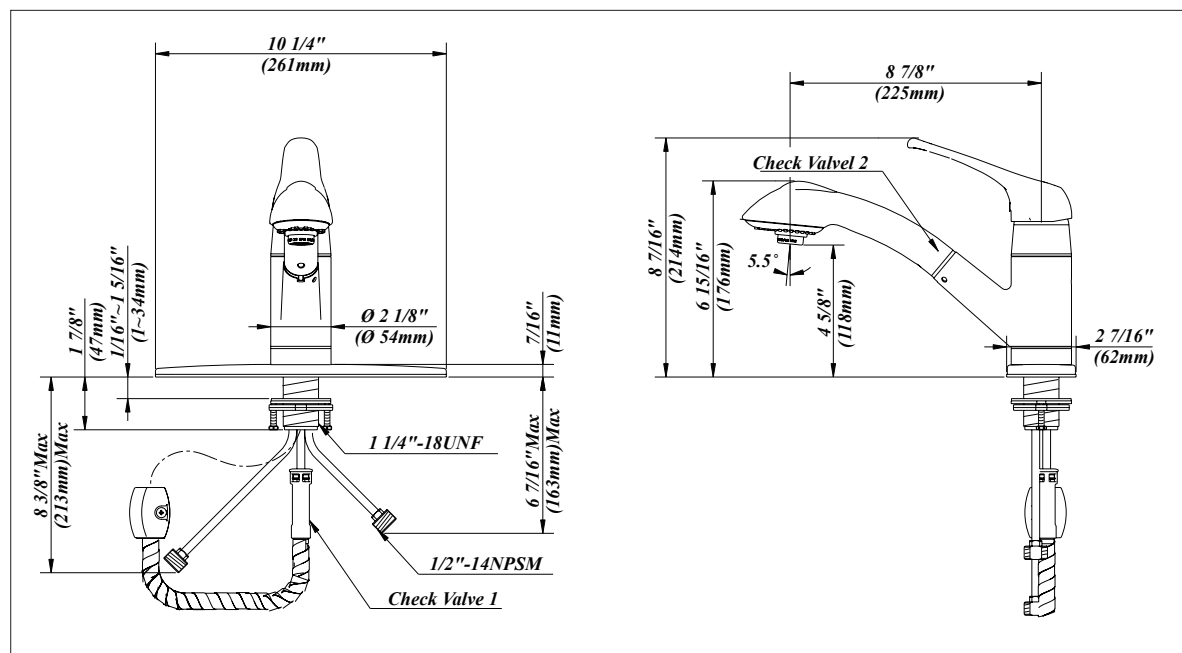
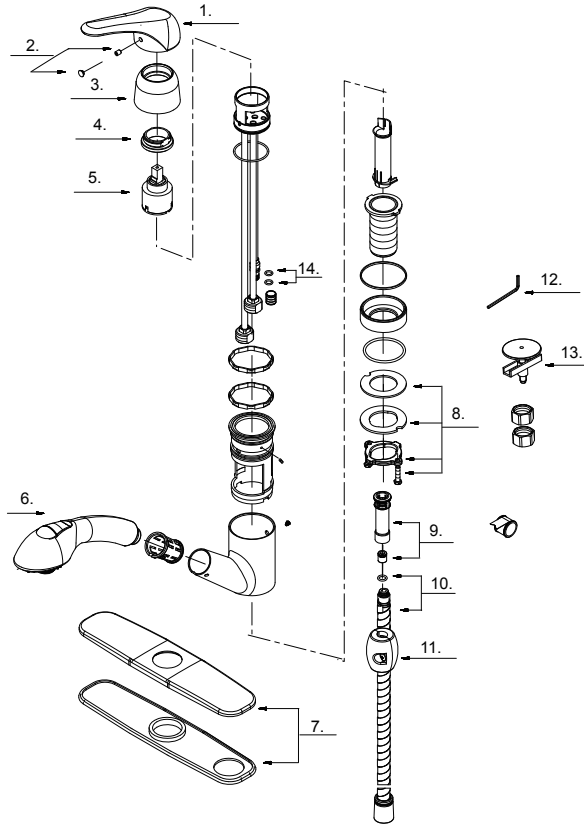
**OPB-153SS**

OmniPro

**OPB-153ORB**

# Single Handle Pullout Kitchen Faucet

No.	Name	Part No.
1	Metal Handle	A069528
2	Index Button-Cold/Hot	A66G053
3	Trim Cap	A103036
4	Locking Nut	A104008
5	Ceramic Disc Cartridge	A507348N
6	Spray Head	A523047N-51
7	Cover Plate & Putty Plate	A667003
8	Mounting Hardware Assembly	A603171
9	Hose Adaptor Assembly	A66G422N
10	Spray Hose	A66D561N
11	Weight	A504718
12	Hex Wrench (H2.5 * 19 mm L * 53 mm L)	A031000NI
13	Sink Hole Cover	A504724
14	O-Ring Set (Φ1/4" ID * Φ3/8" OD)	A668178N



**Product Spec Sheet**

TEL: 800-217-4603

Visit Our Web Site : [www.omniprofaucets.com](http://www.omniprofaucets.com)