

OPB-100C
 OPB-140C

OPB-100SS
 OPB-140SS

OmniPro

8" Single Handle Kitchen Faucet



FEATURES & BENEFITS

- This Product Contains Less Than 0.25% Weighted Average Lead Content On Wetted Surfaces
- Metal Lever Handle
- Ceramic Cartridge
- With Side Spray
- Optional Deck Plate Included
- Max Flow Rate 1.5 gpm (5.7 L/min) at 60 psi (ASME A112.18.1M/A112.18.1)

APPROVALS:

Meets or Exceeds The Following:

- * ANSI/ASME A112.18.1M/A112.18.1
- * NSF/ANSI 61 - Sec. 9
- * NSF/ANSI 372
- * IAPMO/cUPC
- * CA AB1953

OPB-140C
Chrome Finish

OPB-140SS
Stainless Steel Finish

OPB-100C
Less Side Spray
Chrome Finish

OPB-100SS
Less Side Spray
Stainless Steel Finish



TEL: 800-217-4603

FAX: 877-992-2846

Visit Our Web Site : www.omniprofaucets.com

Product Spec Sheet

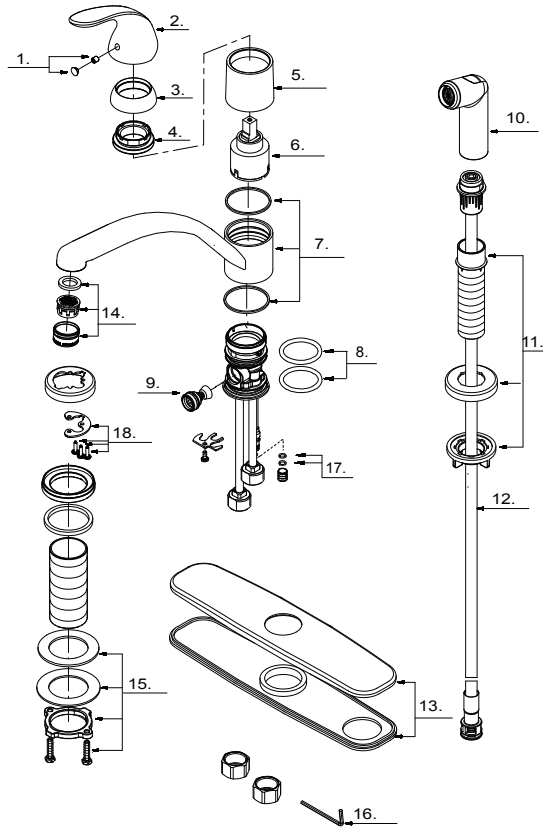
OPB-100C
 OPB-140C

OPB-100SS
 OPB-140SS

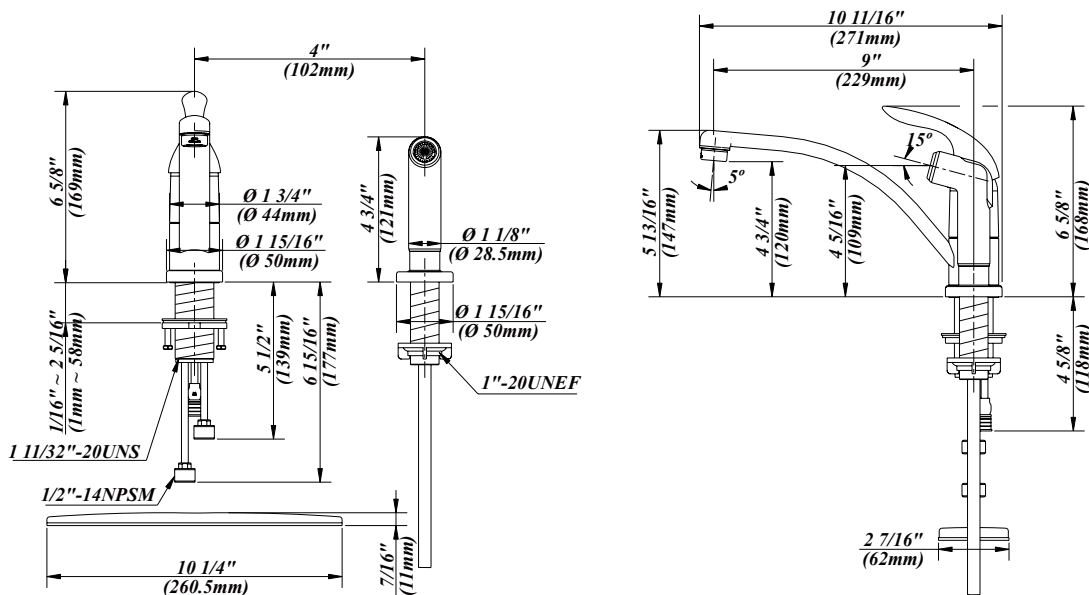
OmniPro

8" Single Handle Kitchen Faucet

No.	Name	Part No.
1	Index Button-Cold/Hot	A66D569
2	Metal Handle	A069200
3	Trim Cap	A103016
4	Locking Nut	A104002
5	Sleeve	A041026
6	Ceramic Disc Cartridge	A507348N-32
7	Spout Assembly	A666928W
8	O-ring Set ($\Phi 1-1/4"$ ID * $\Phi 1-1/2"$ OD)	A608220
9	Diverter	A501374N
10	Spray Head	A503002N
11	Spray Holder Assembly	A664283
12	Spray Hose	A512139N
13	Cover Plate & Putty plate	A667003
14	Aerator	A500872N
15	Mounting Hardware Assembly	A603222
16	Wrench (H 2.5 * 19 mm L * 53 mm L)	A031000NI
17	O-Ring Set ($\Phi 1/4"$ ID * $\Phi 3/8"$ OD)	A668178N
18	Mounting Hardware	A66G424-T



Product Spec Sheet



TEL: 800-217-4603 FAX: 877-992-2846

Visit Our Web Site : www.omniprofaucets.com