

4" Two Handle Laundry Faucet



FEATURES & BENEFITS

OPC-386CA
Chrome Finish

- Metal Wing Handles
- Washerless Cartridges
- Max Flow Rate 2.2 gpm (8.3 L/min) at 60 psi
With Aerator
(ASME A112.18.1M/A112.18.1)

APPROVALS:

Meets or Exceeds The Following:

- * ANSI/ASME A112.18.1M/A112.18.1
- * NSF/ANSI 61 - Sec. 9
- * NSF/ANSI 372
- * IAPMO/cUPC
- * CA AB1953



NSF/ANSI 372
NSF/ANSI 61-9



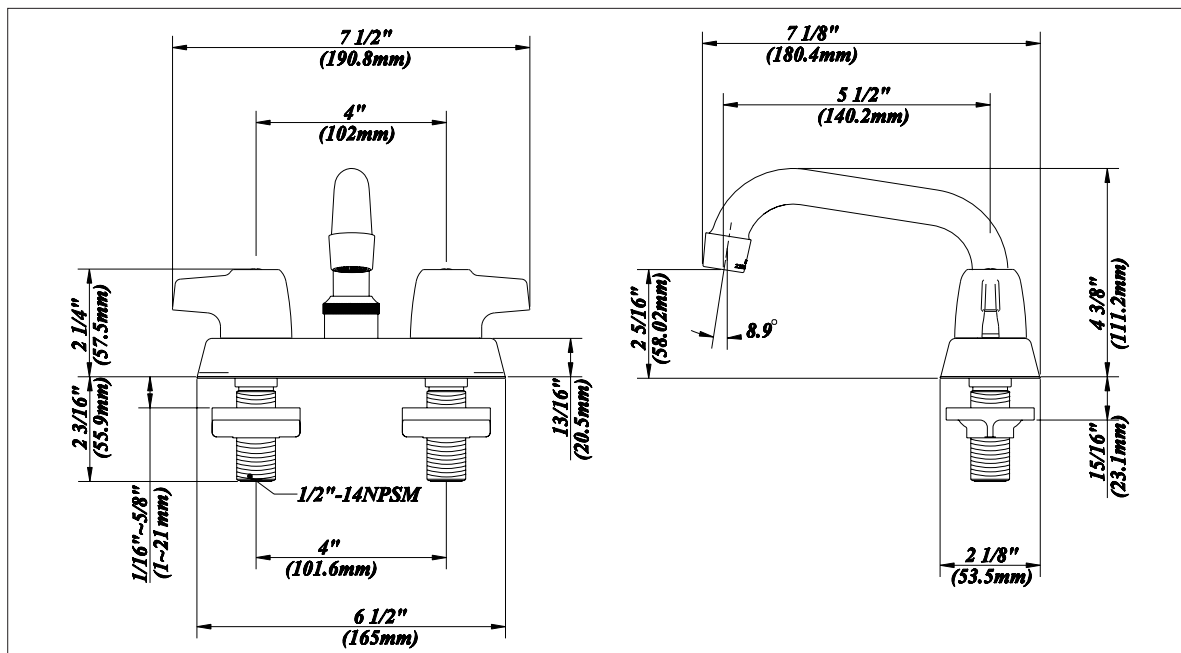
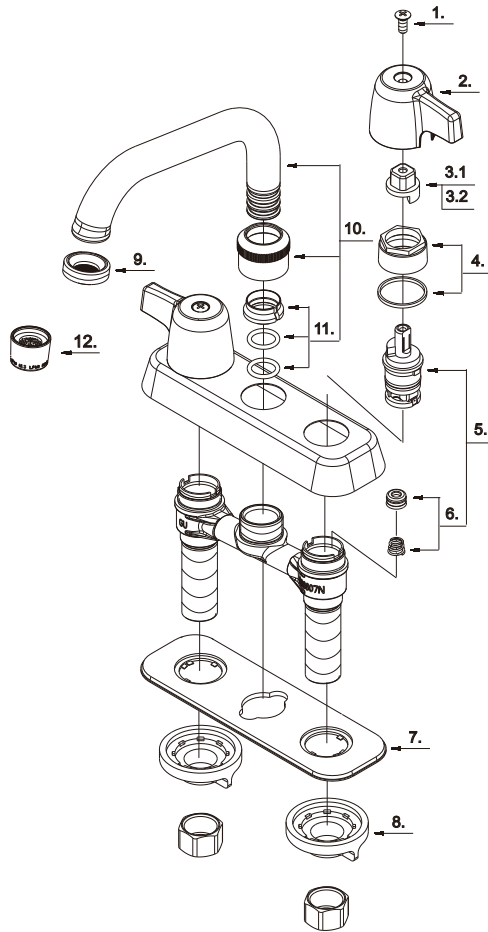
Product Spec Sheet

TEL: 800-217-4603

Visit Our Web Site : www.omniprofaucets.com

4" Two Handle Laundry Faucet

No.	Name	Part No.
1	Screw (3/16" -24 * 7/16" L)	A008049
2	Metal Handle	A069790
3.1	Handle Adaptor-Cold	A110039C
3.2	Handle Adaptor-Hot	A110039H
4	Retainer Nut & Washer	A663629
5	Cartridge Assembly	A66D636N
6	Seat & Spring Set	A663002
7	Putty Plate	A011018
8	Lock Nut Set	A504023
9	Flow Straightener	A500003N
10	Spout Assembly	A666146N
11	Spout Seal Kit	A603235N
12	Aerator	A500549N-50



Product Spec Sheet