

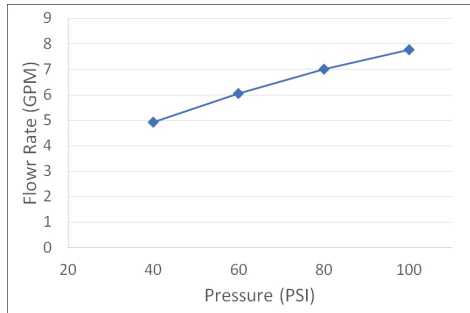


Single Handle Tub/Shower Pressure Balancing Valve

- 1/2" PEX Inlet & Shower Outlet W/Combo CXC & IPS Tub Outlet
- Pressure Balancing Cartridge Ships with Trims
- Stainless Steel Mounting Bracket
- Test Cap allows Pressure Testing 150 PSI Max
- Square Mud Guard with Leveler allows right angle cuts
- Thin or Thick Wall Mounting
- Back to Back Installation
- Builder Tract Pack
- Preinstalled PEX Fittings Meet ASTM F1807

Olympia products are engineered and manufactured to meet the following standards and codes :

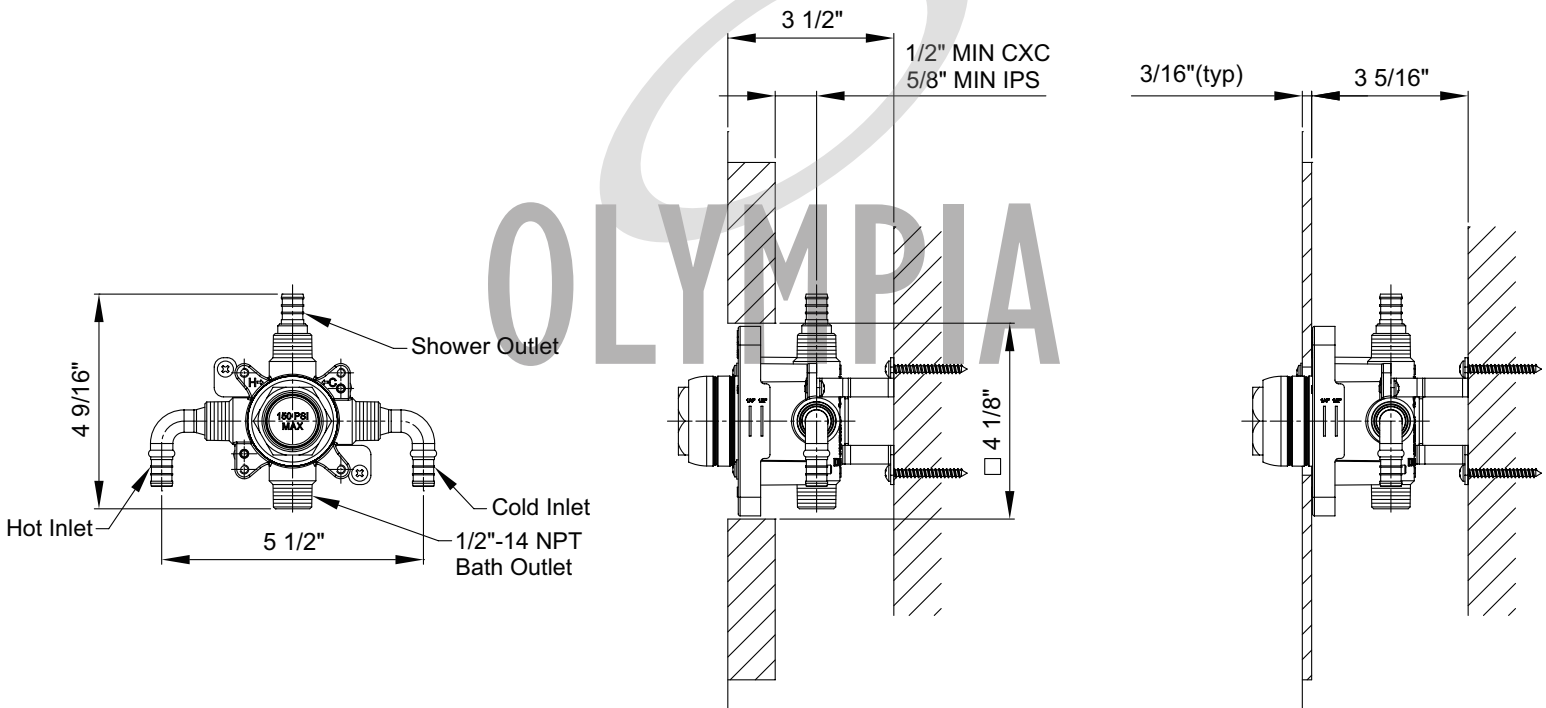
V-2402B-B Flow Rate (GPM) Vs Pressure (PSI) For Tub Port*



*Note: This information is provided for reference only. Actual Flow Rate may vary depending on installation and inlet pressures.

Note: V-23XX and V-24XX series valves can be tested when test cap installed with air (150 PSI) or water (150 PSI).

Note: Cartridge operational at pressures 20 PSI to 100 PSI.



THICK WALL

THIN WALL