



OLYMPIA FAUCETS, INC.
3325 S. Garfield Ave.
Commerce, CA 90040
(888) 772-7701
www.olympiafaucets.com

INSTALLATION

Tools:



Adjustable Wrench



Plumbers Putty



Teflon Tape



Rags

Model Number: T-230X, T-231X, T-233X, T-234X, T-235X T-236X, T-237X, T-238X, T-239X, T-2391X, T-233XRB, VT-230X-RP

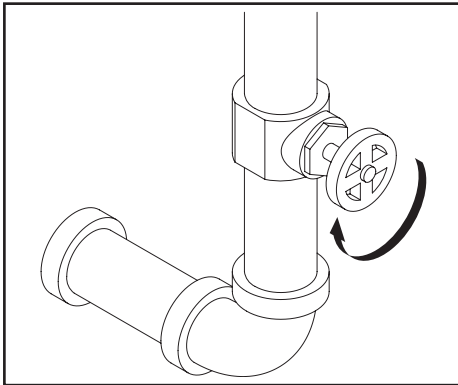


Warnings and Notes:

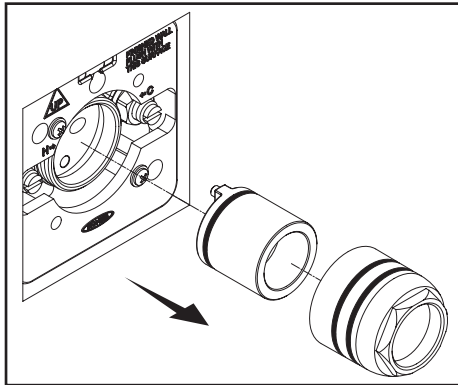
Check with local plumbing code requirements before installation.
This product should be installed by a local listed plumber.
Do not use plumbers putty on threads.

Installation Steps:

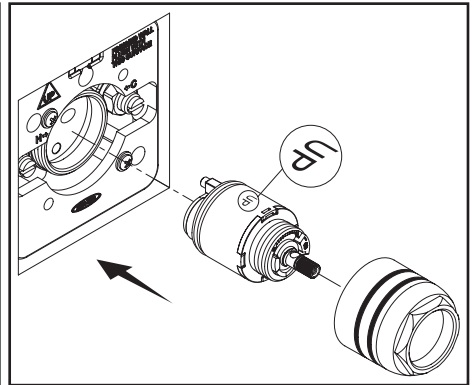
Single Handle Tub / Shower Trim Set



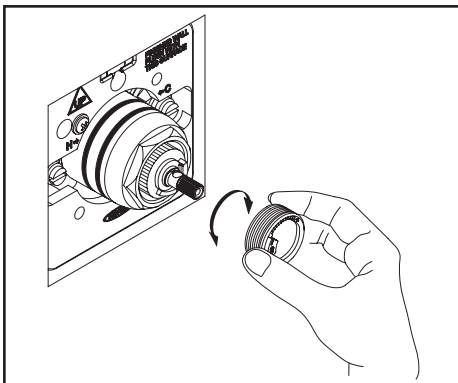
(1) Turn off water supply.



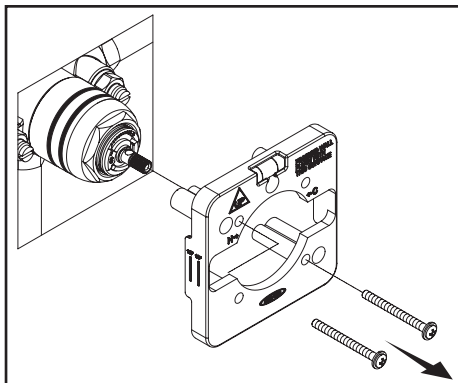
(2) Remove sleeve nut and test cap.



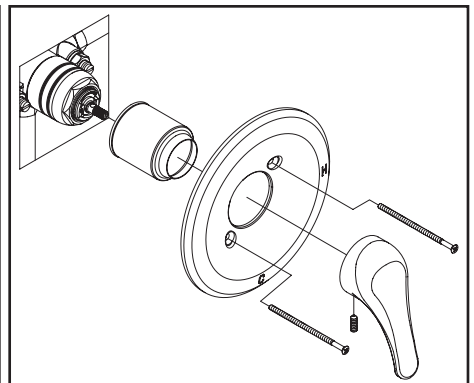
(3) Make sure "UP" marking is on top, install the cartridge and hand tighten the sleeve nut. Then tighten the sleeve nut a quarter turn more by using a wrench or a 1-7/16" socket to secure the cartridge.



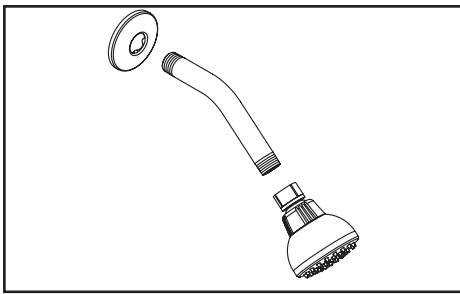
(4) With cartridge in off position; lift and adjust temperature limit cap to desired temperature, turn clockwise to decrease the temperature setting and turn counter-clockwise to increase the temperature setting.



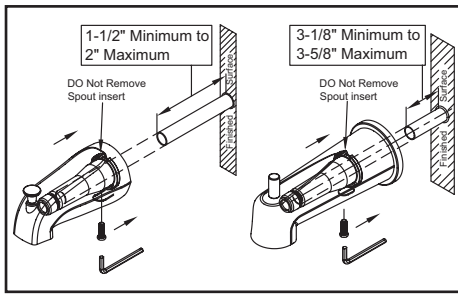
(5) Remove mud guard.



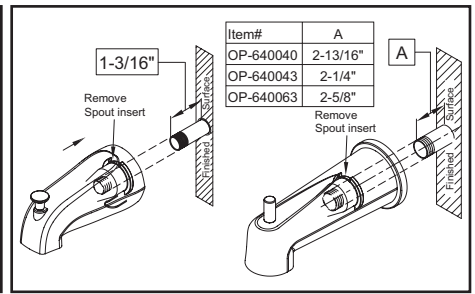
(6) Install sleeve, face plate and handle.



(7) Apply Teflon tape on both thread ends of the shower arm and install shower arm and shower head.



(8) For copper pipe, please refer to the distance charts on the above drawing to ensure correct installation of standard and extended spouts. The end of the copper pipe should be chamfered free of burrs to prevent cutting or nicking the O-ring and cone shape gasket inside the tub spout. Sand the outside surface of the copper pipe to remove nicks and scratches. If the series includes the spout escutcheon: Slide the spout escutcheon over the copper pipe, press and twist the tub spout until flush with the finished wall. Tighten the set screw to secure the tub spout.



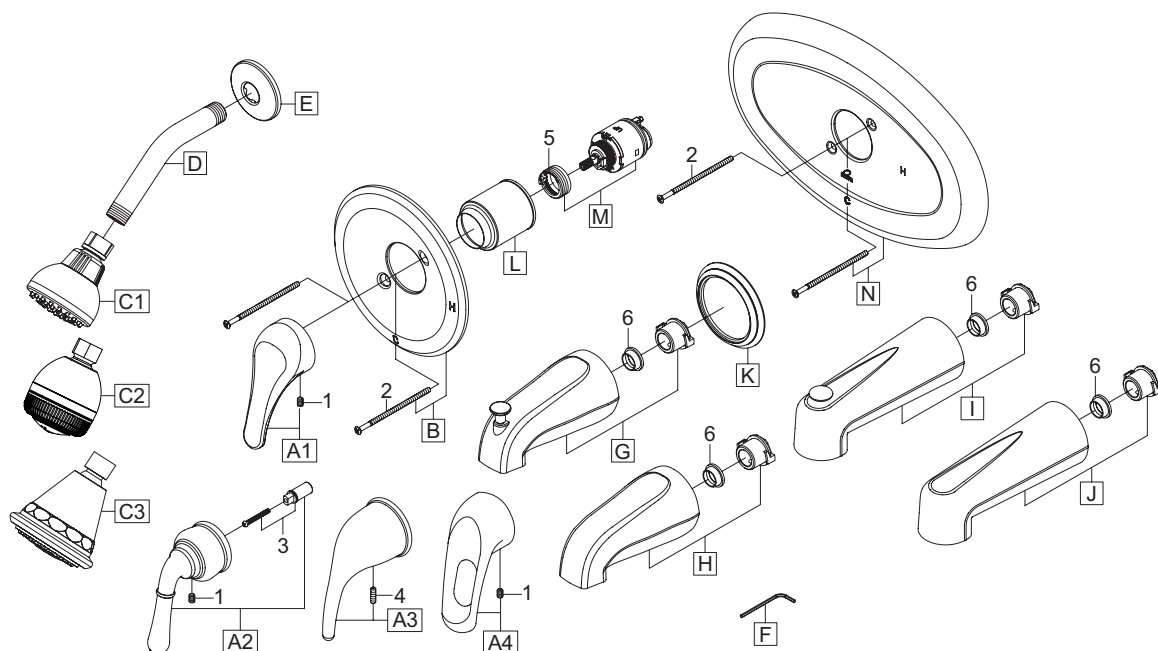
(9) For pipe thread nipple, remove spout insert and apply Teflon tape on thread of nipple, please see the distance charts on the installation instruction pictures for correct installation for each series of tub spout.

Exploded Drawing: (T-230X, T-231X, T-234X, T-235X, T-236X, VT-230X-RP)

* Note: Please specify finish/color when ordering.

| | ITEM # | DESCRIPTION |
|---|------------|---|
| H | OP-640019* | Tub Spout (For T-23X1) |
| I | OP-640033* | 7" Extended Diverter Tub Spout (For T-2353) |
| J | OP-640034* | 7" Extended Tub Spout (For T-2354) |
| K | OP-440042* | Spout Escutcheon (For T-235X) |
| L | OP-440054* | Sleeve |
| M | OP-340009 | Ceramic Cartridge & Spool |
| N | OP-640017* | Oval Face Plate (For VT-230X-RP) |
| 1 | OP-490029 | Allen Screw |
| 2 | OP-440010* | Face Plate Screws |
| 3 | OP-440033 | Handle Adapter |
| 4 | OP-440043 | Allen Screw |
| 5 | OP-340010 | Red Color Temperature Adjusting Ring |
| 6 | OP-640058 | Gasket |

| | ITEM # | DESCRIPTION |
|----|------------|--|
| A1 | OP-140014* | Metal Lever Handle (For T-230X) |
| A2 | OP-140008* | Lever Handle (For T-234X, T-235X) |
| A3 | OP-140015* | Lever Handle (For T-236X) |
| A4 | OP-140010* | Loop Handle (For T-231X) |
| B | OP-440009* | Face Plate |
| C1 | OP-640053* | 1.5 GPM Showerhead (For T-230X, T-231X) |
| C2 | OP-640029* | 1.75 GPM Showerhead (For T-234X, T-236X) |
| C3 | OP-640035* | 1.75 GPM Showerhead (For T-235X) |
| D | OP-640002* | Shower Arm |
| E | OP-640001* | Shower Arm Flange |
| F | OP-490011 | 3/32" Allen Wrench |
| G | OP-640018* | Diverter Tub Spout (For T-23X0) |

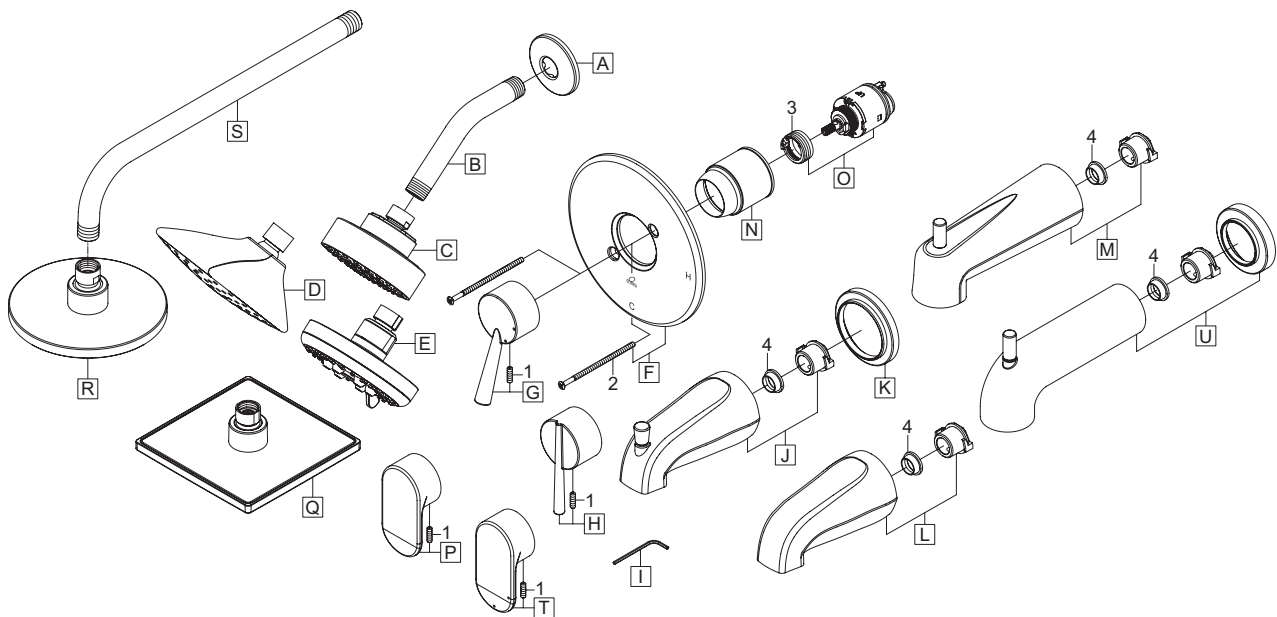


Exploded Drawing: (T-233X, T-237X, T-238X)

* Note: Please specify finish/color when ordering.

| | ITEM # | DESCRIPTION |
|---|------------|--|
| L | OP-640019* | Tube Spout (For T-23X1) |
| M | OP-640040* | 7" Extended Diverter Tub Spout (For T-23X4) |
| N | OP-440054* | Sleeve |
| O | OP-340009 | Ceramic Cartridge & Spool |
| P | OP-140020* | Lever Handle (For T-233X) |
| Q | X-6400088* | 1.75 GPM Shower Head (For "-6" Suffix) |
| R | OP-640047* | 1.75 GPM Shower Head (For "-6R(L)" Suffix) |
| S | OP-640056* | 14" L Shower Arm (For "-6RL" Suffix) |
| T | OP-140025* | Lever Handle (For T-233XRB) |
| U | OP-640063* | 7" Extended Diverter Tub Spout And Escutcheon (For "-7S" Suffix) |
| 1 | OP-440043 | Allen Screw |
| 2 | OP-440010* | Face Plate Screws |
| 3 | OP-340010 | Red Color Temperature Adjusting Ring |
| 4 | OP-640058 | Gasket |

| | ITEM # | DESCRIPTION |
|---|------------|---|
| A | OP-640001* | Shower Arm Flange |
| B | OP-640002* | Shower Arm |
| C | OP-640038* | 1.75 GPM Shower Head (For T-23X0, T-23X2) |
| D | OP-640037* | 1.75 GPM Rain Shower Head (For T-23X4, T-23X5) |
| E | OP-640041* | 1.75 GPM Shower Head (For T-2386, T-2387) |
| F | OP-440051* | Face Plate |
| G | OP-140011* | Lever Handle (For T-237X) |
| H | OP-140018* | Lever Handle (For T-238X) |
| I | OP-490011 | 3/32" Allen Wrench |
| J | OP-640007* | Diverter Tub Spout (For T-23X0, T-2386) |
| K | OP-640008* | Spout Escutcheon (For T-23X0, T-23X1, T-23X4, T-23X6) |

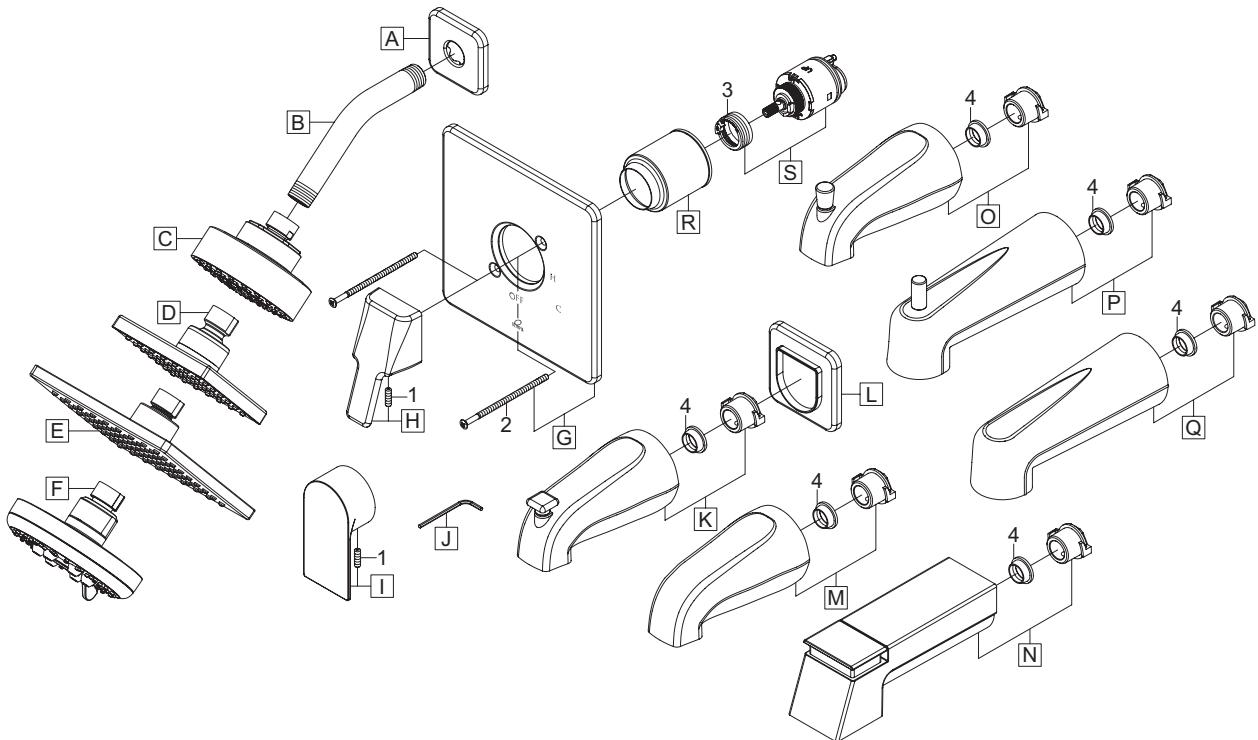


Exploded Drawing: (T-239X, T-2391X)

* Note: Please specify finish/color when ordering.

| | ITEM # | DESCRIPTION |
|---|------------|---|
| L | OP-440055* | Spout Escutcheon |
| M | OP-640019* | Tube Spout (For T-2391, T-23911) |
| N | OP-640043* | 7" Extended Diverter Tub Spout (For T-2396, T-2398) |
| N | OP-640044* | 7" Extended Tub Spout (For T-2397) |
| O | OP-640007* | Diverter Tub Spout (For T-23910) |
| P | OP-640040* | 7" Extended Diverter Tub Spout (For T-23914) |
| Q | OP-640034* | 7" Extended Tub Spout (For T-23917) |
| R | OP-440054* | Sleeve |
| S | OP-340009 | Ceramic Cartridge & Spool |
| 1 | OP-440043 | Allen Screw |
| 2 | OP-440010* | Face Plate Screws |
| 3 | OP-340010 | Red Color Temperature Adjusting Ring |
| 4 | OP-640058 | Gasket |

| | ITEM # | DESCRIPTION |
|---|------------|---|
| A | OP-640045* | Shower Arm Flange |
| B | OP-640002* | Shower Arm |
| C | OP-640038* | 1.75 GPM Shower Head (For T-2390, T-2392, T-23910, T-23912) |
| D | OP-640042* | 1.75 GPM Shower Head (For T-2394, T-2395, T-2398) |
| E | X-6400088* | 1.75 GPM Shower Head (For "-6" Suffix) |
| F | OP-640041* | 1.75 GPM Shower Head (For T-23914, T-23915) |
| G | OP-440056* | Face Plate |
| H | OP-140019* | Lever Handle (For T-239X) |
| I | OP-140021* | Lever Handle (For T-2391X) |
| J | OP-490011 | 3/32" Allen Wrench |
| K | OP-640046* | Diverter Tub Spout (For T-2390, T-2394(-6)) |



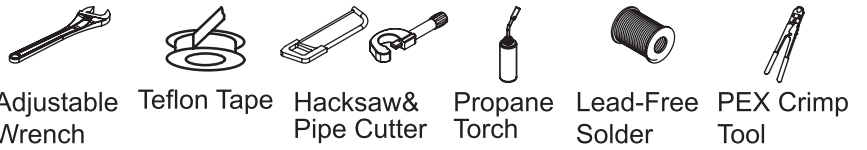
For more care information or trouble shooting inquiries about your Olympia product, Please call:
OLYMPIA FAUCETS, INC. (888) 772-7701
 Monday-Friday 8 AM to 8 PM EST (5 AM to 5 PM PST)
www.olympiafaucets.com



OLYMPIA FAUCETS, INC.
 3325 S. Garfield Ave.
 Commerce, CA 90040
 (888) 772-7701
 www.olympiafaucets.com

INSTALLATION

Tools:



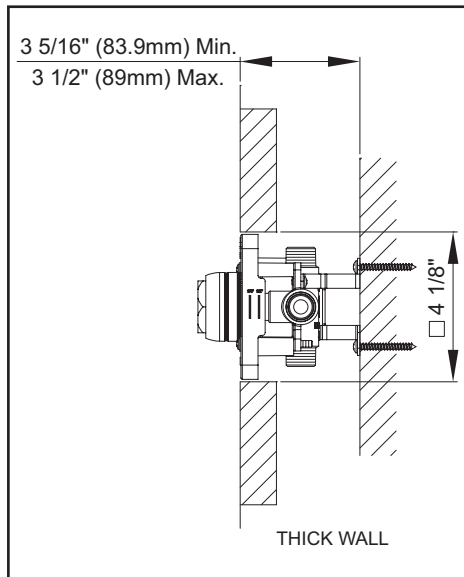
Model Number: V-23XXB, V-24XXB

Warnings and Notes:

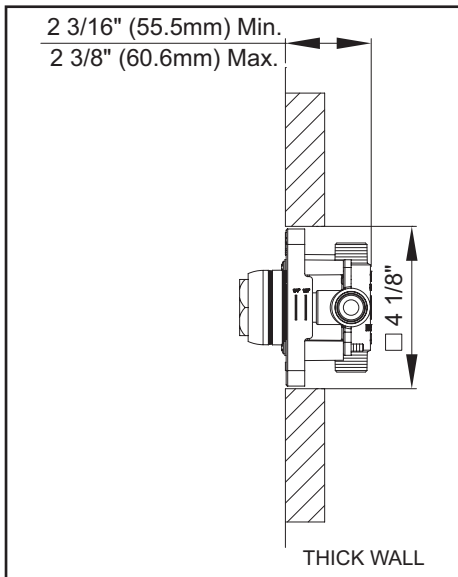
Check with local plumbing code requirements before installation.
 This product should be installed by a local listed plumber.
Do not use plumbers putty on threads.

Installation Steps:

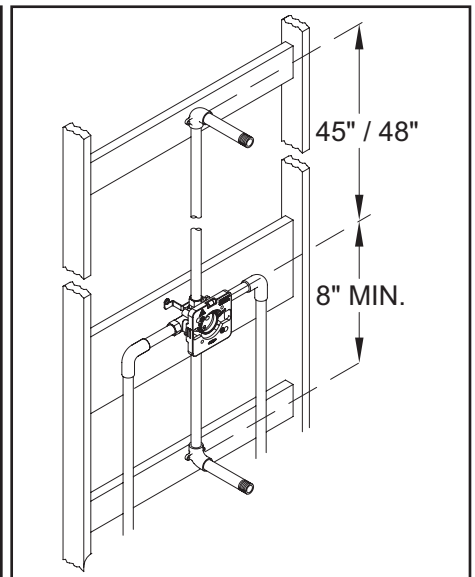
Single Handle Pressure Balance Tub and Shower Valve Set



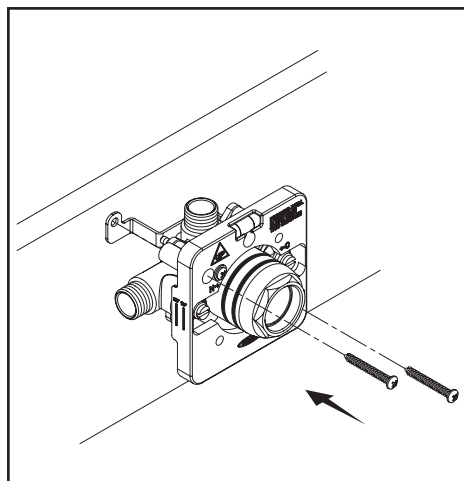
(1) Installation Distance With Bracket.



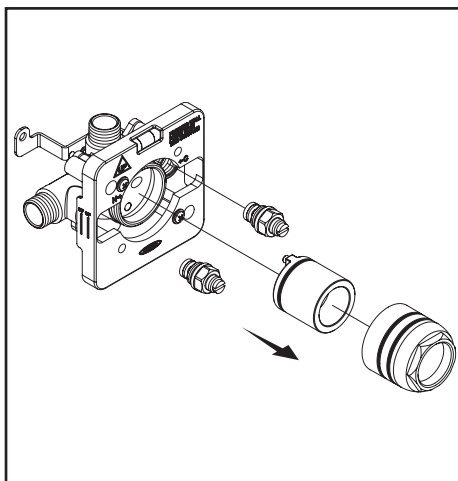
(2) Installation Distance Without Bracket.



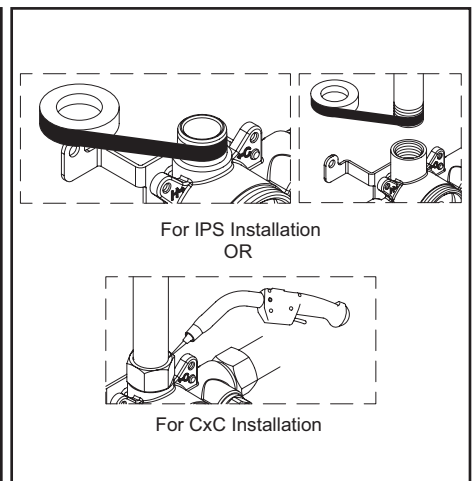
(3) For Tub Spout Use 1/2" copper or IPS Pipe
 Only For Shower Only Use Provided 1/2" Cap to cap tub outlet.



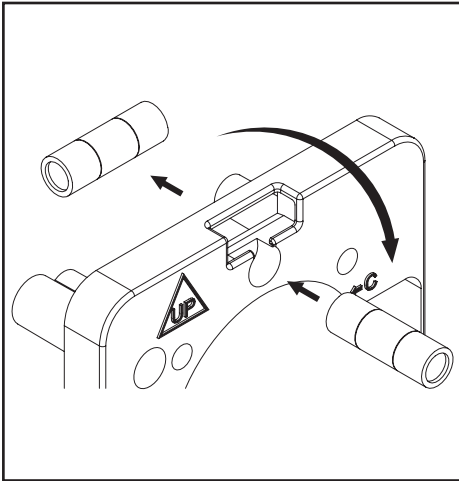
(4) Install Valve with 2 Wood screws provided.



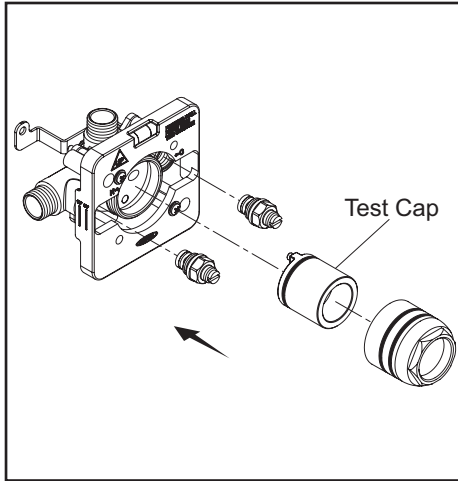
(5) For CXC Installation :- Remove Mud Guard Plate, Sleeve Nut, Test Cap And Inlet Stop Assemblies Before Soldering.



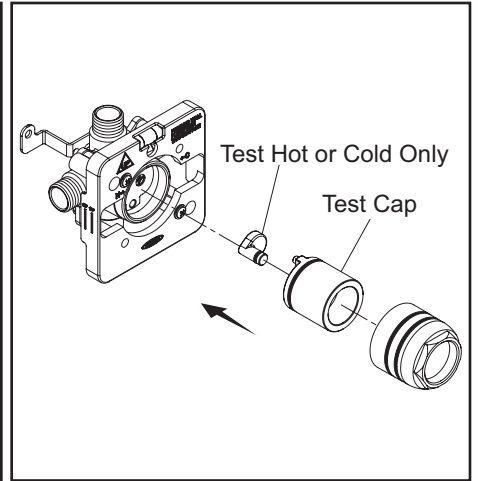
(6) Connect valve body to water inlets using the proper fittings (Copper, IPS, PEX-Crimp, PEX-Cold Expansion, CPVC). Note:- For PEX, be sure to use the right fitting for crimping and the right fitting for Cold Expansion.



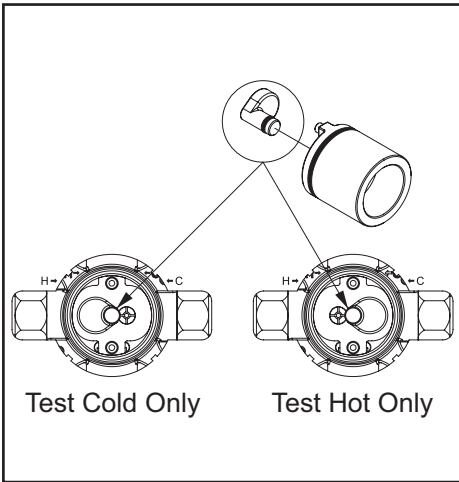
(7) Ensure Valve is leveled. To check vertical leveling remove level and put in the front hole in mud guard.



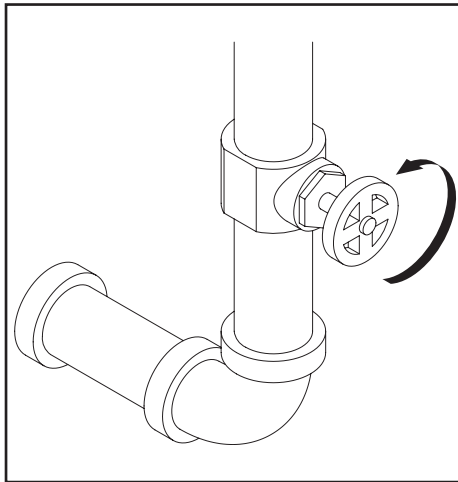
(8) For CXC Installation :- Assemble Inlet Stop Assemblies, Test Cap, Sleeve Nut And Mud Guard Plate After Installation Is Completed. Please Note That Do Not Tighten More Than 15 Lbs / Inch² While Replacing Inlet Stop Assemblies. Overtightening May Cause Damage To The Inlet Stop Assemblies.



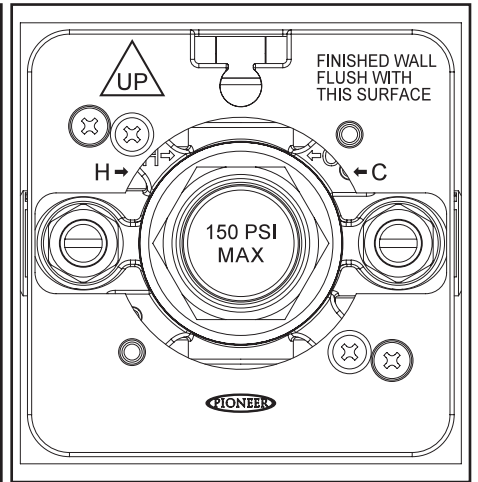
(9) To test Hot or Cold inlet Install the test plug to Test Cap.



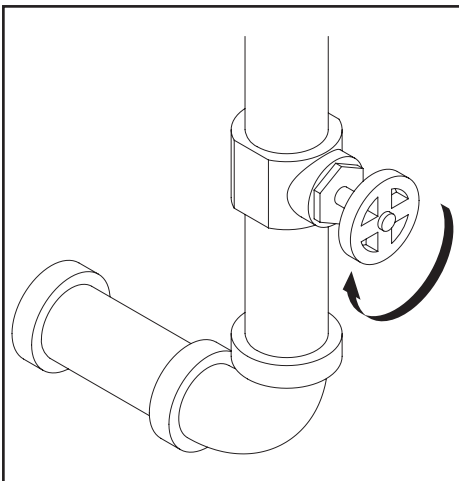
(10) Test plug can be positioned on Cold or Hot inlet.



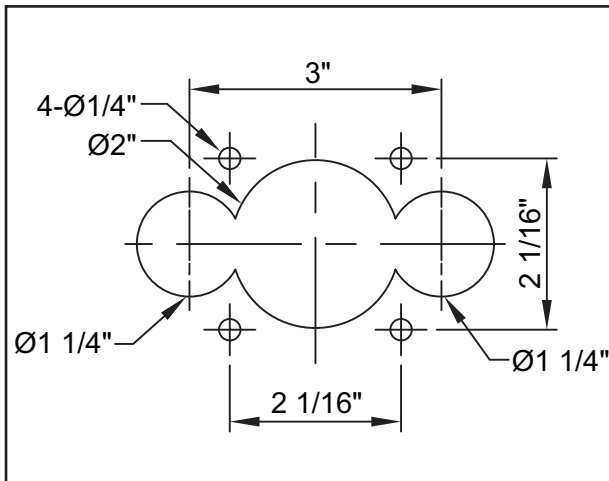
(11) Turn on Water Supply.



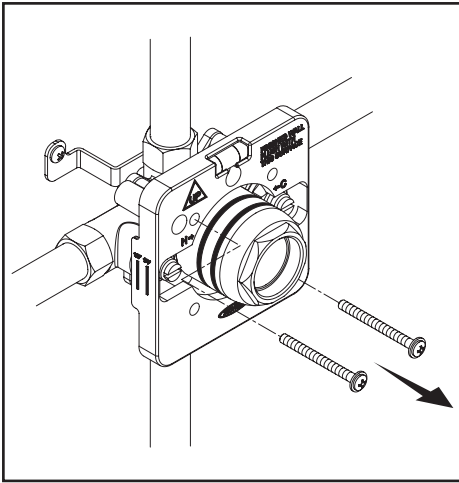
(12) Valve can be tested 150 PSI Max for Air or Water Pressure.



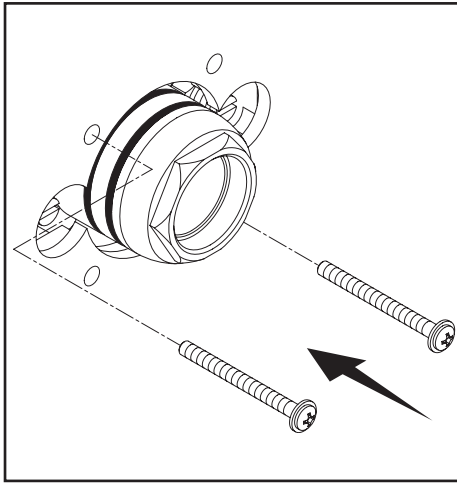
(13) Once Testing is completed turn off Water Supply.



(14) For Thin Wall Installation:- Use Provided template for thin wall installation.



(15) Remove Mud guard screws.

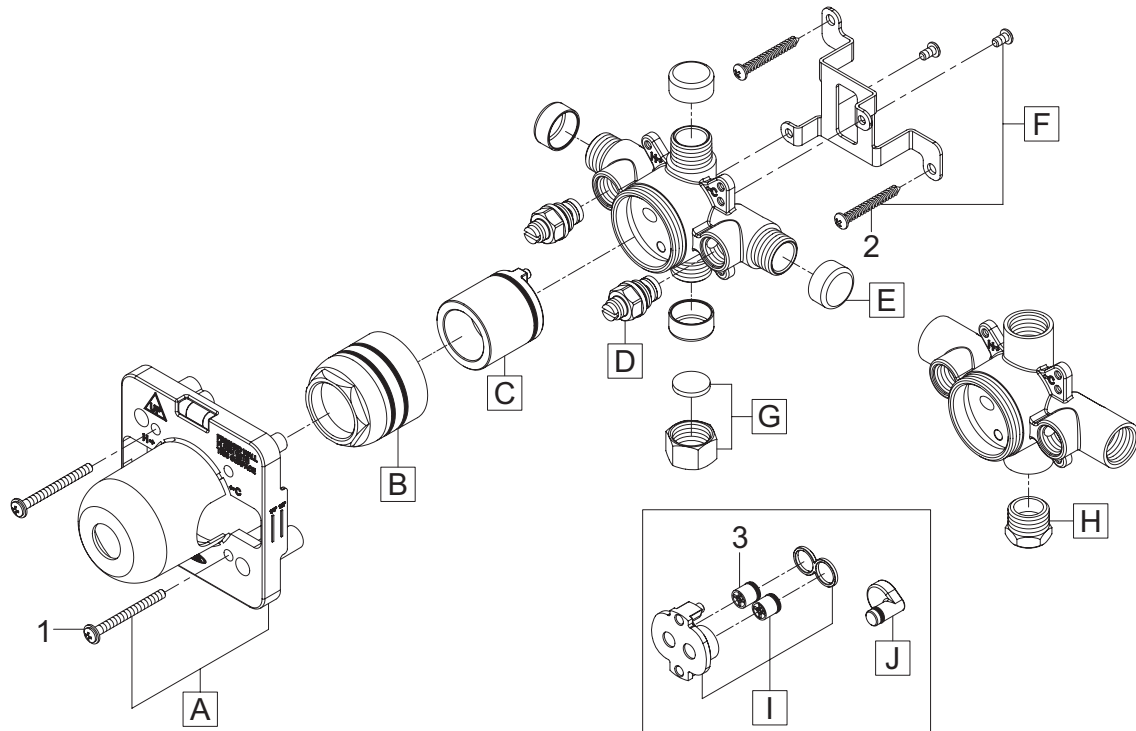


(16) Use Mud guard screws to secure valve to thin wall.

Exploded Drawing:

| ITEM # | DESCRIPTION |
|--------|---|
| H | OP-440020 Plug (For V-2X16B) |
| I | OP-440061 CHECK VALVE (For V-24XXB) |
| J | OP-440062 Test Plug (For V-24XXB) |
| 1 | OP-440063 Mud Guard Screw |
| 2 | X-4900055 Mounting Bracket Screws |
| 3 | XCS-47001 10 MM CHECK VALVE (For V-24XXB) |

| ITEM # | DESCRIPTION |
|--------|---|
| A | OP-440059 Mud Guard |
| B | OP-440053 Sleeve Nut |
| C | OP-440060 Test Cap |
| D | OP-440007 Inlet Stop Assembly (For V-23XXB) |
| E | OP-440023 Protective Cap (For V-2X00B) |
| F | OP-540003 Mounting Bracket With Screws |
| G | X-4900025 Cap and Washe (For V-2X00B) |



For more care information or trouble shooting inquiries about your Olympia product, Please call:
OLYMPIA FAUCETS, INC. (888) 772-7701
 Monday-Friday 8 AM to 8 PM EST (5 AM to 5 PM PST)
www.olympiafaucets.com