



OLYMPIA FAUCETS, INC.
3325 S. Garfield Ave.
Commerce, CA 90040
(888) 772-7701
www.olympiafaucets.com

INSTALLATION

Tools:



Adjustable Wrench



Silicone Sealant



Teflon Tape



Rags



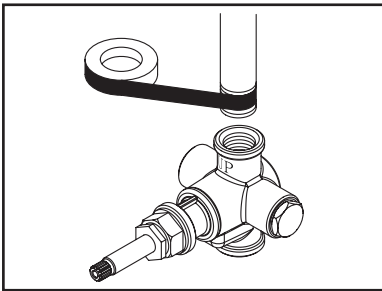
Model Number: P-2240B

Warnings and Notes:

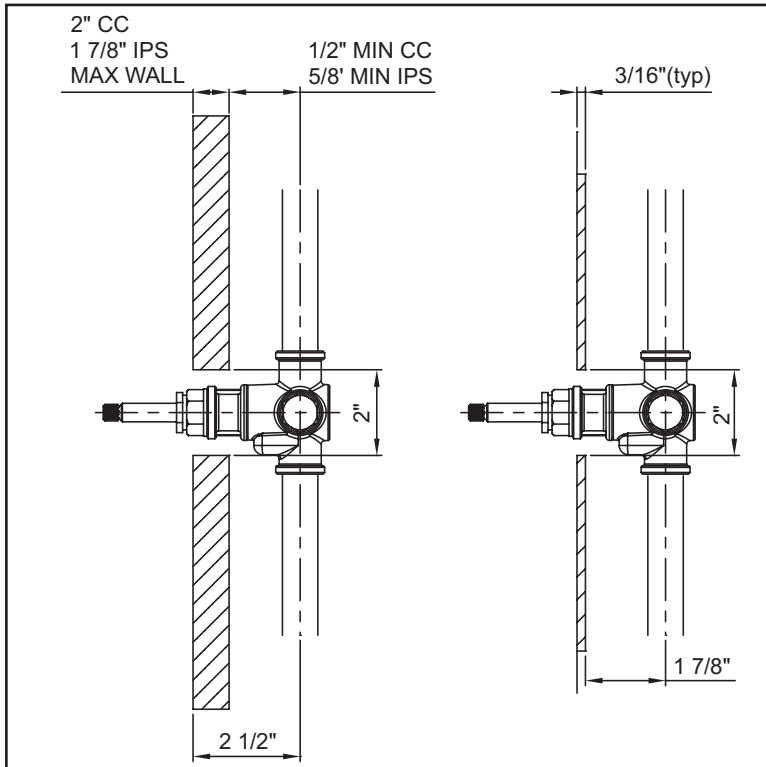
Check with local plumbing code requirements before installation.
This product should be installed by a local listed plumber.
Do not use plumbers putty on threads.

Installation Steps:

Single Handle Diverter Valve Set

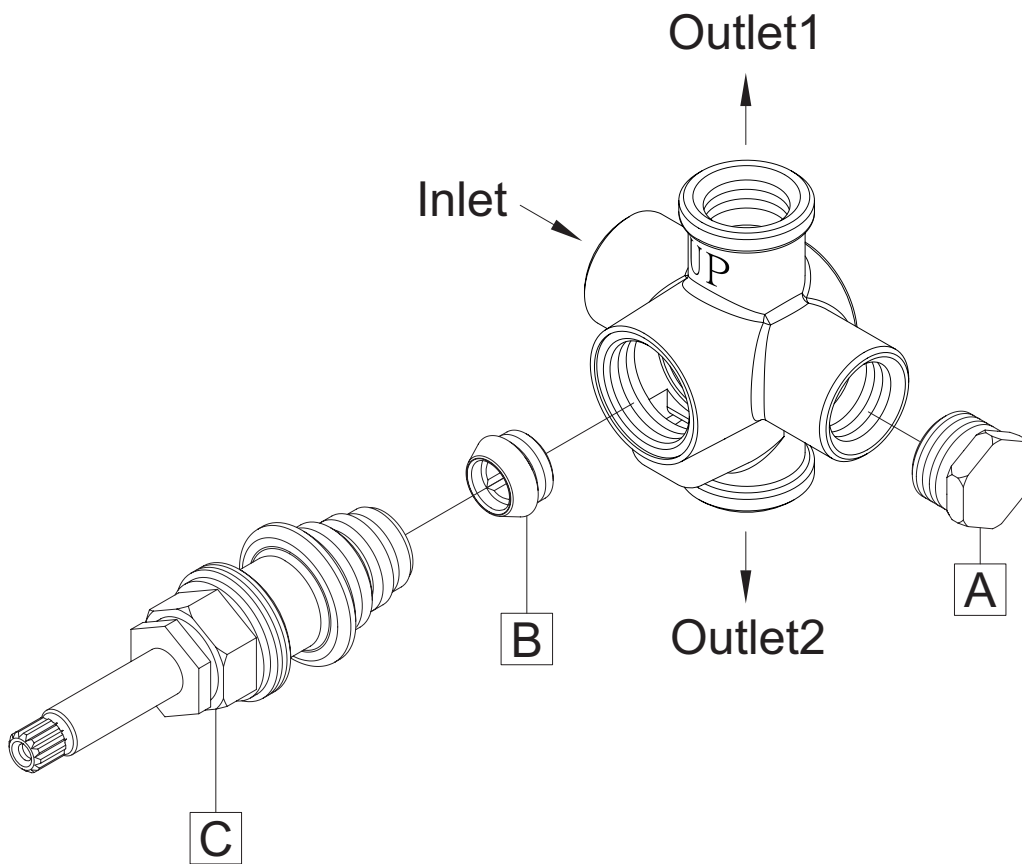


(1) Please refer the drawing in the bottom right to determine the distance to install valve to the recommended depth based on different finished walls. Improper installation may result in performance and aesthetic issue with the product. For IPS connection:-Apply Teflon tape on valve's inlet and outlet ports, make sure to identify which one is the inlet port of the valve, connect water pipes to inlet and outlet ports, cap the unused outlet port if there is any.



Exploded Drawing:

	ITEM #	DESCRIPTION
A	OP-440020	Valve Plug
B	OP-440014	Brass Seat
C	OP-360001	Diverter Stem



For more care information or trouble shooting inquiries
about your Olympia product, Please call:
OLYMPIA FAUCETS, INC. (888) 772-7701
Monday-Friday 8 AM to 8 PM EST (5 AM to 5 PM PST)
www.olympiafaucets.com