

CAP-113DDS-12 COLLANA
CAP-115ABS-8 SMOOTH
CAP-118BAS-8 HARMONY

WALL MOUNT HOT & COLD
STAINLESS STEEL SHOWER UNITS

MAINTENANCE AND
WINTERIZING
SPECIFICATIONS



1-866-SHOWER1
WWW.OUTDOORSHOWERCO.COM
info@outdoorshowerco.com

STAINLESS STEEL CERTIFICATION:
BSEN 10088-2 1.4301/1.4307, ASTM A240 304/ 304L



CAP-113DDS-12



CAP-115-ABS-8



CAP-118BAS-8

SHOWER HEADS:
-304 Stainless Steel Construction
-Pivotal Ball Joint
-1/2" NPT



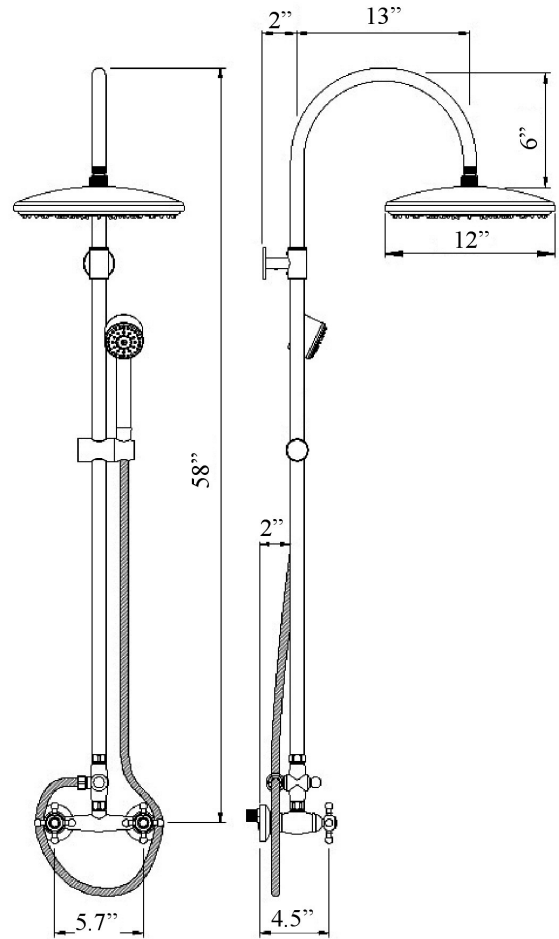
1-866-SHOWER1
WWW.OUTDOORSHOWERCO.COM
info@outdoorshowerco.com

NEW! EURO DESIGN

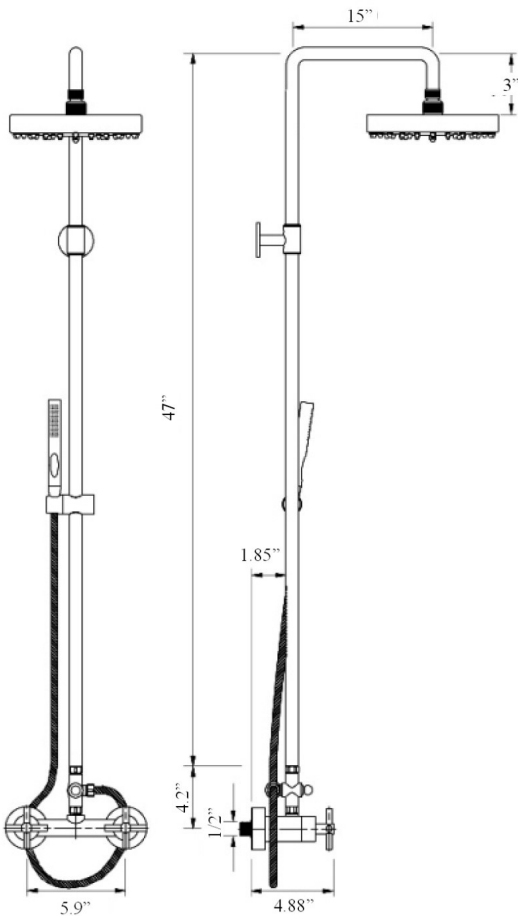
CAP-113DDS-12 COLLANA
CAP-115ABS-8 SMOOTH
CAP-118BAS-8 HARMONY

WALL MOUNT HOT & COLD
STAINLESS STEEL SHOWER UNITS

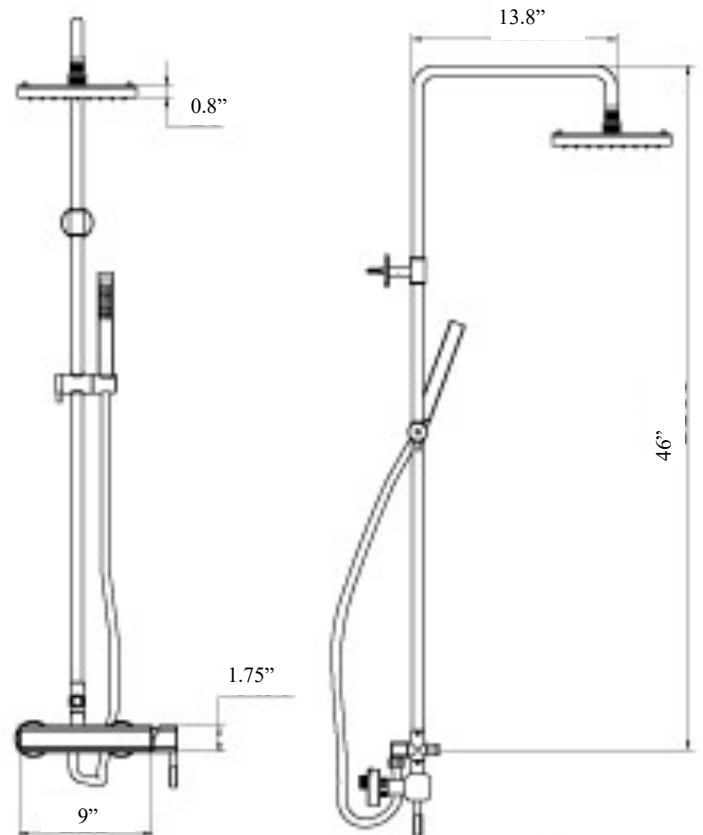
CAP-113DDS-12 COLLANA



CAP-115ABS-8 SMOOTH



CAP-118BAS-8 HARMONY



SPECIFICATIONS—WARRANTY—MAINTENANCE



CAP-113DDS-12 COLLANA

CAP-115ABS-8 SMOOTH

CAP-118BAS-8 HARMONY

1-866-SHOWER1

WWW.OUTDOORSHOWERCO.COM

info@outdoorshowerco.com

WALL MOUNT HOT & COLD SHOWER UNITS

SPECIFICATIONS FOR WALL MOUNT HOT & COLD SHOWERS:

- Overall Height – 46-58"
- Center Spread – 6±1/2"
- Flexible Hose Length – 60"
- Construction – 304 Stainless Steel
- Valve Height from Flooring Surface – 38"-42"
- All Valves and Fittings are 1/2" NPT
- Wall Brackets and Hardware Provided with each Shower Unit

As exclusive dealers for Caprea showers in the United States it is a privilege to offer this great line of products to our customers. They are designed for outdoor usage, but we ask that you follow the guidelines below to ensure it is maintained correctly. Please contact the Outdoor Shower Co., LLC if you have any questions or need additional information.

It is very important to winterize your shower unit in the Autumn/early Winter prior to any chance of frost.

Make sure:

- the faucet/valve is open or removed
- the shower is drained of all water
- the water supply going to the shower unit is turned off
- the shower head, hand shower, other accessories are removed and stored

This will avoid damage caused from water freezing in the shower unit or pipes. Covering with plastic will not prevent freezing but will help to retain its luster and keep debris out of the openings.

In terms of maintenance, DO NOT use any chemical substances and certainly no abrasive cleaners or metal brushes on the stainless steel. The surfaces can be cleaned with WD-40 or stainless steel cleaner to remove water spots and protect the finish.

Any small spots that appear are not rust, but simply staining due to surface contamination or lead in the water. Stainless steel does not rust.

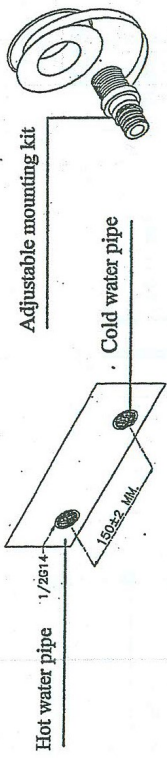
The 10 year warranty includes replacement or repair of defective parts and an unconditional guarantee against manufacturing defects. Any shipping fees associated with the return or replacement of merchandise covered by this warranty will be incurred by Outdoor Shower Company, LLC . **We reserve the right to determine if damage to a unit or any parts is the direct cause of not complying with manufacturer's guidelines. Special Order non-stock items are NOT returnable.** The warranty will become void if merchandise is damaged, improperly maintained or installed, or modified without the authorization from our company.

WARNING: FREEZE DAMAGE is NOT covered by the warranty.

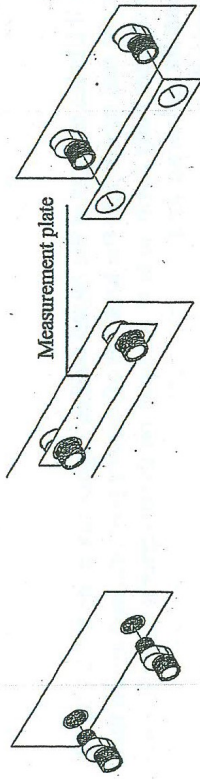
It is very important to winterize outdoor showers. Just like water faucets and hose bibbs, they are susceptible to freeze damage. The unit(s) must be drained in freezing conditions. In extremely cold temperatures it is advisable to remove faucets and hose bibbs and store them during winter months.

Although care was taken in the design and manufacture of your new pool shower to ensure it's safe operation, we accept no responsibility for the improper use or installation of equipment, as it is no longer in our control. Buyers have the right of inspection, approval, and acceptance within thirty days of arrival.

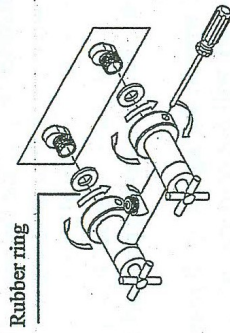
Returns or repairs email us at info@outdoorshowerco.com or call **678-363-3939** or **1-866-SHOWER1**. Additional information is available at www.outdoorshowerco.com.



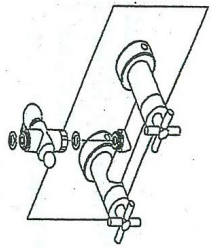
1. Set up the internal threaded 1/2G14 hot-cold pipes where the distance between each others is 150 ± 2 MM. where up the floor around 90-100 CM.
2. Wrap the adjustable mounting kit on the assembling side with the tape.



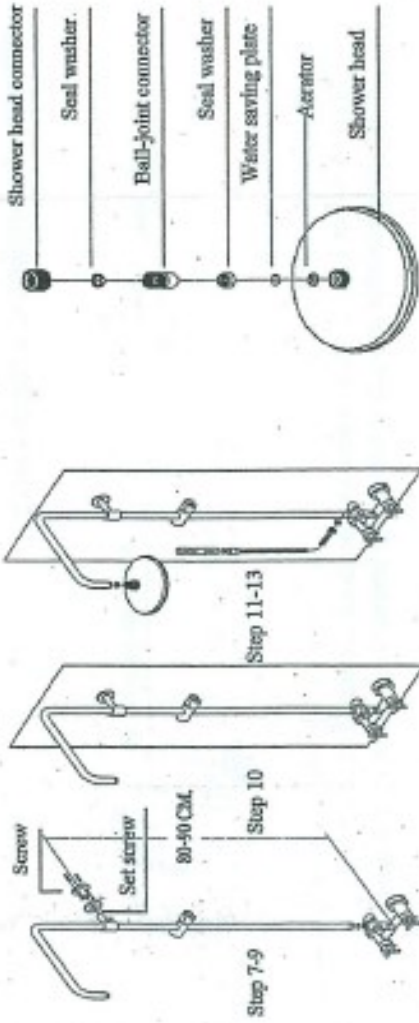
3. Put the wrapped mounting kits into the pipes and put the measurement plate or in order to check the centre of the mounting kits and take the measurement plate off.
4. Let water flow to clean up the Hot-cold pipes before setting the tap to avoid scraps from the pipes block the taps.



5. Attach the tap with the prepared mounting kits by putting rubber rings inside the tap's body. Do not wrap the mounting kits on the side that will connect to the tap. Rotate both of the tap's nuts at the same time along the direction that shown in the figure by hand and to make it tight use screwdriver at the spacer.



6. Assemble the diverter kit with the tap by putting the rubber ring into the diverter kit (on the nut side) and tighten them together manually (no need to wrap the tap's thread) and wrench it tight.



7. Drill 2 holes to support the raised washer higher upon the tap 80-90 CM.
8. Put the seal rubber into the lock nut of shower post arm and attach them with the diverter body (with no tape wrapped on the diverter's thread) rotate the nut manually and using wrench respectively.
9. Release the set screw and the base supporter in order to attach on the drilled wall after that tight them up.
10. Release water to clear the shower post column and diverter kit before setting up the shower head to avoid scraps from the post column and diverter kit block the shower head.
11. Attach the shower head with the prepared arm by putting the seal rubber upon the shower head and attach it manually (do not wrap the tape on thread).
12. Attach the hose with the diverter by putting the seal rubber in the hand shower's nut lock (do not wrap the tape on thread).
13. Run water for testing on both hand and hand shower.
14. In case of low pressured water. If water does not flow properly, user can take the shower head off and take the water saving plate off as shown in the figure.

Note

1. Do not use wrench or bent wrench during set up. It may cause the damage on the product which the company will not response for any damages by setting up progress. In case of using bent wrench, paper and fabric are needed to cover the product.
 2. Please avoid cleaning products that may cause the scratches on the surface such as hard material, wire brush and chemical cleaning product which contains extreme pH level.
 3. Product made from the fine quality stainless steel, should clean monthly by using cotton or sponge and dry it after that.
- This warranty shall not apply to the following circumstances
1. In case of adapting any part of product.
 2. Mistake from installation.
 3. Mistake from operation.
 4. Mistake from maintenance.
 5. Operate with water from an artesian well.