

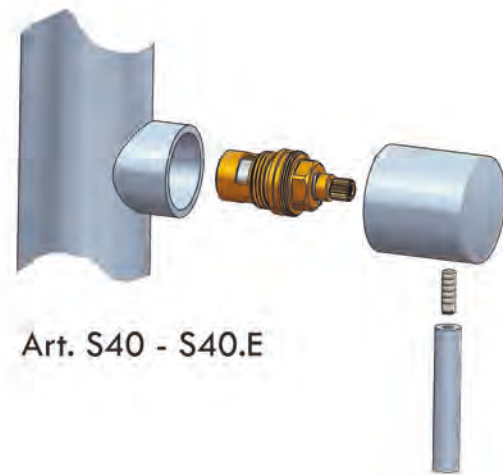
# MAINTENANCE AND CLEANING

## DEMOUNTING OF EXTERNAL PARTS ( FOR SEASONAL USE )

In case of long term non-use (typically: use limited to summer season only), we recommend to remove the entire shower column, demounting it in reverse order to the "installation" chapter (page up). In case this would not be possible, we suggest to:

1. Remove all demountable parts: handshower and flexible hose.
2. Close stop valve inside the inspection well (see " Preinstallation" chapter, two pages up).
3. Unscrew supply pipe from stop valve.
4. Open tap/mixer until complete emptying of shower column.

*In case of aggressive environmental conditions (especially: exposure to high salinity or frost) we also recommend to demount all tap/mixer removable parts, including cartridge. Please refer to the drawings below for demounting sequence.*



## PERIODICAL MAINTENANCE

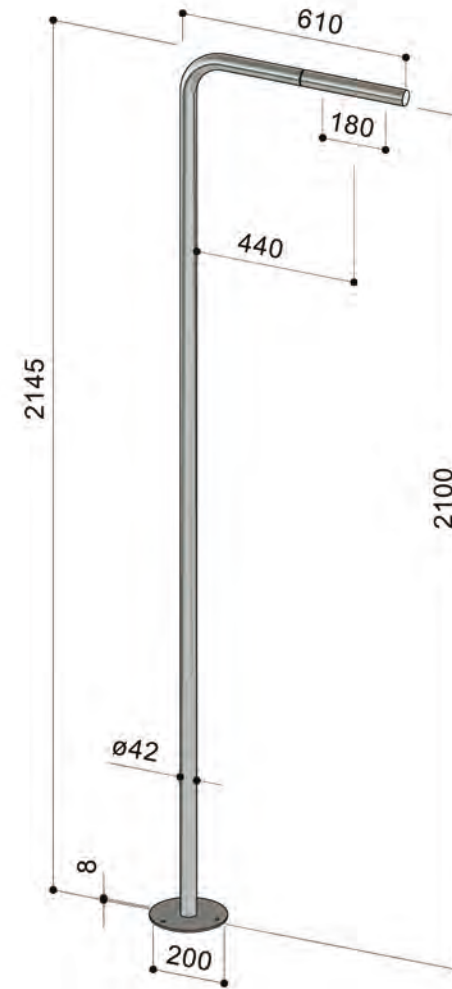
- Wash frequently the column with clean water (if possible using a high pressure water jet), in order to keep bright the surface of the supermirror MX finish and to clean the stripes in case of brushed BX finish. Dry off carefully after washing.
- Remove frequently saline deposits, limescale and oxide spots; clean cavities, couplings, screw heads etc. Use only soft cloths; in case of brushed finish follow the stripes direction.
- At least once per year, clean carefully using detergents specific for stainless steel. Then polish using a passivating product following the manufacturer's instructions.

**! To be avoided:** abrasive cloths, powder detergents, all cleaning products containing hydrochloric acid. Never expose the column to the vapor of the acid products used to clean floors and tiles, also in the outdoor environment.

*In case of very aggressive environments (front sea and in general high-salinity locations), we recommend to install only columns in MX bright finish and clean the surface frequently.*

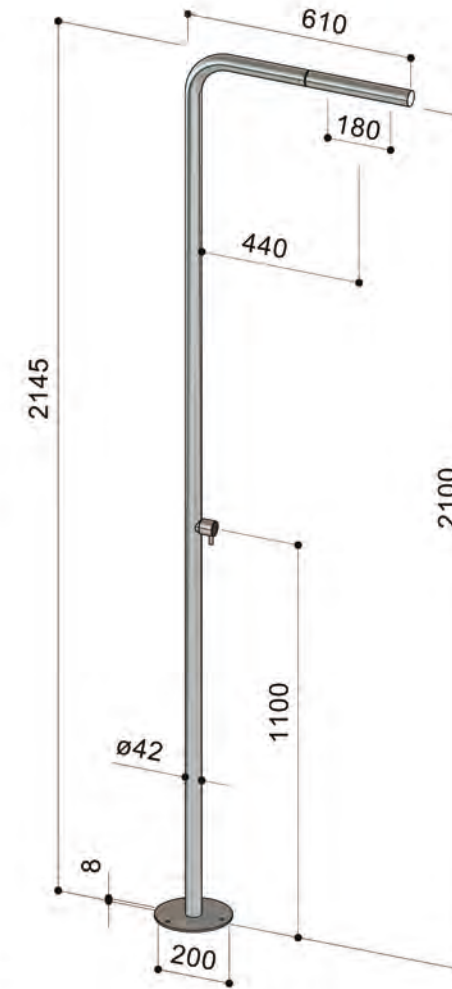
# INSTRUCTIONS AND MAINTENANCE

**fontealta**  
in&out steel concept



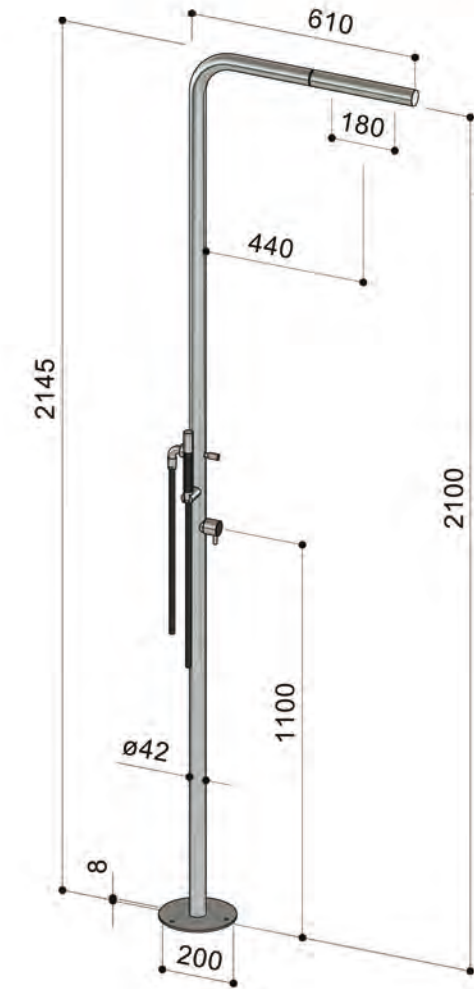
### S40.RC

Outdoor shower column with concealed showerhead for remote control



### S40

Outdoor shower column with stop tap and concealed showerhead



### S40.E

Outdoor shower column with stop tap, concealed showerhead and handshower

*All Skinny shower columns are made of stainless steel AISI 316*

**fontealta**

is a brand of :

**RubINETTERIA F&F L'Artigiana Srl**

Via Libeccio 48/C

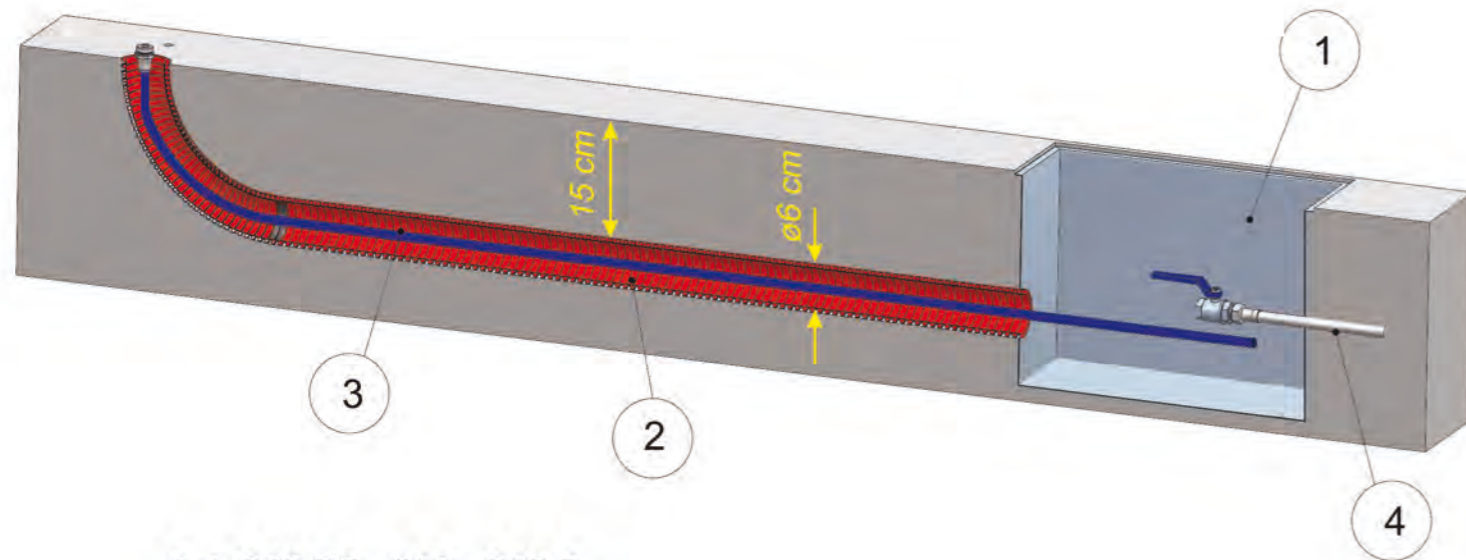
I-55049 Viareggio (Lu)

Tel +39 0584 969041 Fax +39 0584 361206

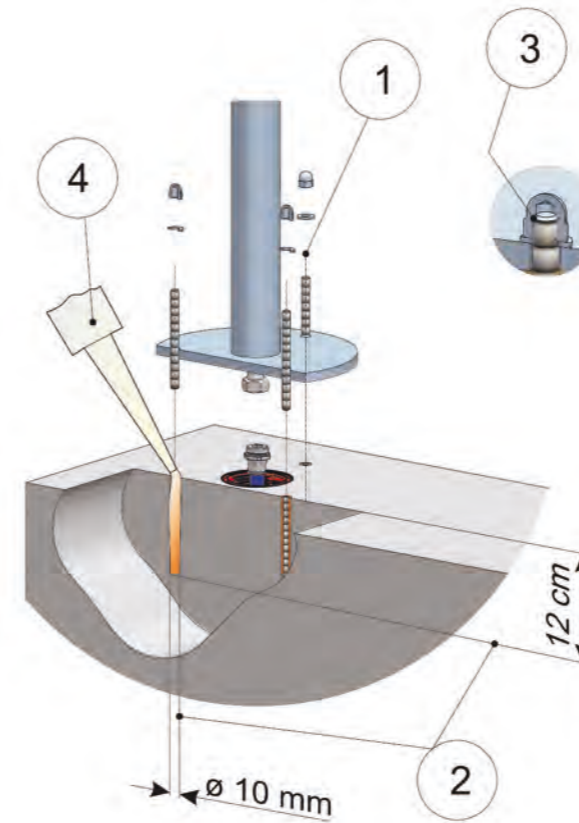
www.fontealta.it info@fontealta.it

## INSTALLATION SETUP

1. Prior to the installation of the shower column, we recommend to build an inspection manhole fit to install stop valves, of appropriate size to house all required water connections. We also recommend to install an easy-inspection filter downstream or in correspondence of the stop valves. If the shower column is equipped with a time-limited self-closing tap, the installation of an upstream filter is strictly required for the acknowledgement of our warranty.
2. We suggest to install a corrugated pipe of 6 cm diameter downstream of the manhole. The upper edge of the pipe shall be installed at a minimum distance of 15 cm from the finished floor surface.
3. Install removable polyethylene/polypropylene water supply pipes (or similar material), equipped with 1/2" male thread tails.
4. Wash out the supply pipes upstream of the inspection manhole. This operation is especially recommended since impurities can obstruct pipes, taps and mixer cartridges, showerhead etc.



Art. S40.RC - S40 - S40.E



## INSTALLATION

1. Place the shower column into position and trace the 3 fixation holes. Remove the column.
2. Drill 3 holes of 10 mm diameter, until a depth of approximately 12 cm.
3. Place the washers and the blocking nuts on the threaded stems supplied. Screw in the nuts, but do not tighten beyond half run.
4. Inject two-component resin, starting from the bottom of the holes. Put the column back into place.
5. Insert the threaded stems inside the holes, rotating them in order to let the resin fill the holes.
6. Remove the excess resin and clean. Wait for the resin to dry up, following the manufacturer instructions.
7. Unscrew nuts and washers. Remove the column.
8. Connect the supply pipes to the 1/2" loose nuts of flexible pipes.
9. Slide the supply pipe into the corrugated pipe.
10. Connect the end of supply pipes to the stop valves installed inside the inspection manhole. Install external taps if supplied.
11. Check the installation sealing, with valves/mixers set in closed position.
12. Place the column onto the threaded stems. Insert washers on stems and tighten the blocking nuts using a 13 mm wrench. Check the column verticality using a level; in case of misalignment, loose the blocking nuts and insert spacers between the floor and the column base flange.
13. Install the accessories supplied separately (flexible and handshower for E versions; footwash tap if supplied).

