

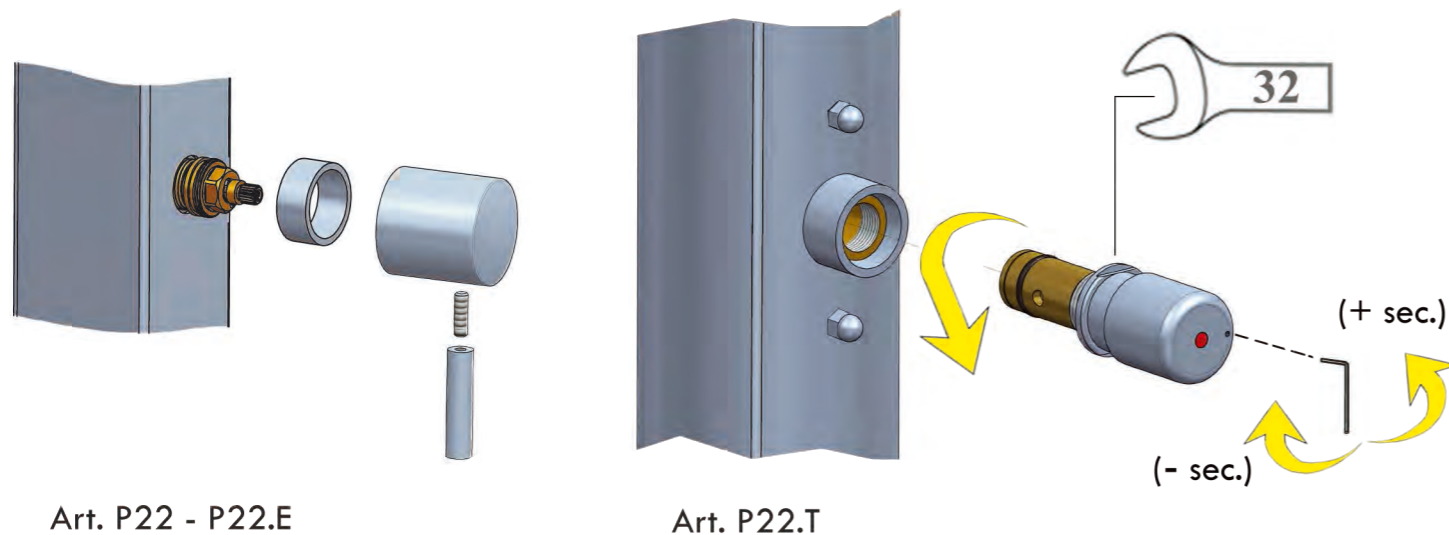
MAINTENANCE AND CLEANING

DEMOUNTING OF EXTERNAL PARTS (FOR SEASONAL USE)

In case of long term non-use (typically: use limited to summer season only), we recommend to remove the entire shower panel, demounting it in reverse order to the “installation” chapter (page up). In case this would not be possible, we suggest to:

1. Remove all demountable parts: footwash, handshower and flexible hose.
2. Close stop valve inside the inspection well (see “ Preinstallation” chapter, two pages up).
3. Unscrew supply pipe from stop valve.
4. Open taps/mixer until complete emptying of panel.

In case of aggressive environmental conditions (especially: exposure to high salinity or frost) we also recommend to demount all taps removable parts, including filter cartridge using a 32 mm wrench. Please refer to the drawing below for demounting sequence and setting the supply time (min. 6 sec./ max 60 sec.)



PERIODICAL MAINTENANCE

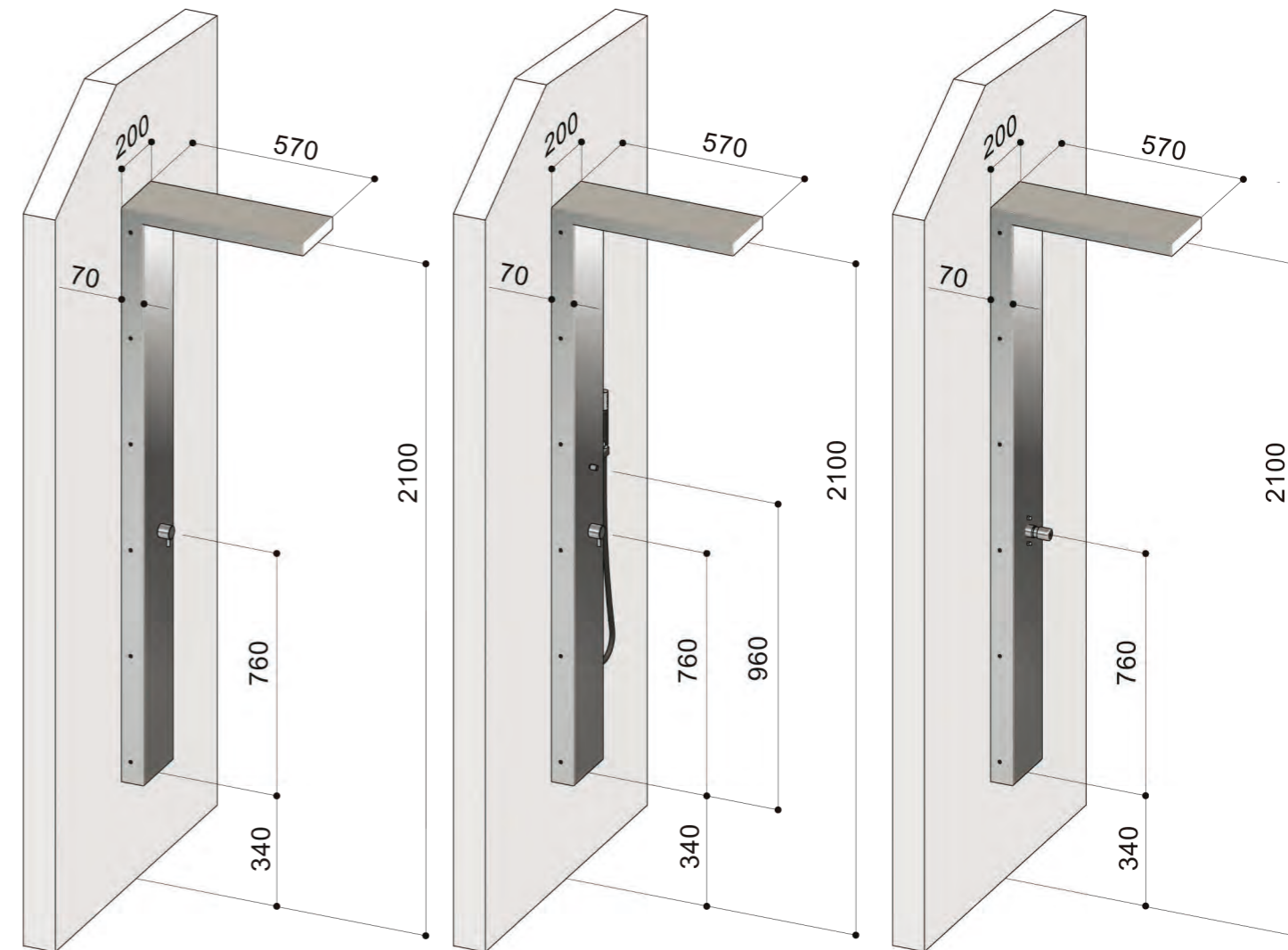
- Wash frequently the column with clean water (if possible using a high pressure water jet), in order to keep bright the surface of the supermirror MX finish and to clean the stripes in case of brushed BX finish. Dry off carefully after washing.
- Remove frequently saline deposits, limescale and oxide spots; clean cavities, couplings, screw heads etc. Use only soft cloths; in case of brushed finish follow the stripes direction.
- At least once per year, clean carefully using detergents specific for stainless steel. Then polish using a passivating product following the manufacturer’s instructions.

To be avoided: abrasive cloths, powder detergents, all cleaning products containing hydrochloric acid. Never expose the column to the vapor of the acid products used to clean floors and tiles, also in the outdoor environment.

In case of very aggressive environments (front sea and in general high-salinity locations), we recommend to install only columns in MX bright finish and clean the surface frequently.

INSTRUCTIONS AND MAINTENANCE

fontealta
in&out steel concept



P22

Wall-mounted shower panel with stop-tap, and concealed showerhead

P22.E

Wall-mounted shower panel with stop-tap, 150 cms flexible hose, handshower and concealed showerhead

P22.T

Wall-mounted shower panel with time-limited self-closing tap and concealed showerhead

All In&Out panels are made of stainless steel AISI 316, with the exception of time-limited self-closing tap which is made in cromed brass

fontealta

is a brand of :

Rubinerteria F&F L'Artigiana Srl

Via Libeccio 48/C

I-55049 Viareggio (Lu)

Tel +39 0584 969041 Fax +39 0584 361206

www.fontealta.it info@fontealta.it

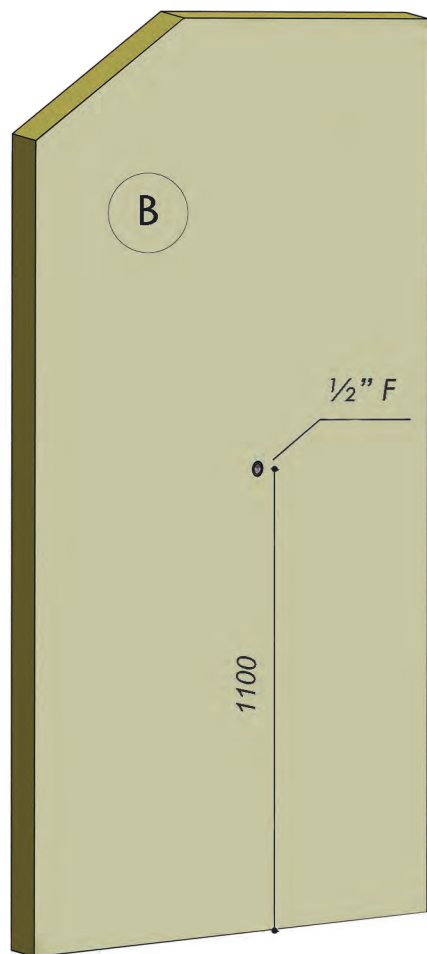
PREINSTALLATION

- Check the wall flatness before starting installation. If the wall/tiling surface is not perfectly flat, the shower panel can warp when screws are tightened (see item 10) and do not align perfectly against the wall.
- Install one $\frac{1}{2}$ " F coupling for water supply at 1100 mm height from floor. Coupling shall not stick out from the wall/tiles lining.
- Wash out the supply pipe upstream. This operation is especially recommended since impurities can obstruct pipes, taps and mixer cartridges, showerhead etc.

Note: If the shower panel is equipped with a time-limited self-closing tap, is strictly required to install an upstream filter for the acknowledgement of our warranty

INSTALLATION

- Unscrew side threads and remove them from panel, using the 3 mm Allen key supplied. Detach panel from inner frame.
- Place the frame base at 340 mm from floor, checking that wall coupling correspond to one of frame eyelids.
- Trace on wall one of the two holes on the high side of the frame.
- Remove frame, drill a $\varnothing 6$ mm hole on trace, insert anchor and place frame screwing in one of the screws supplied.



- Align carefully the frame by placing a level on the vertical side. Trace and drill the other holes (two on the upper side, two on the lower and at least one on the center). Insert screws and tighten.

(!) Pay attention to check supply pipe position in wall before drilling holes

- Seal with teflon the $\frac{1}{2}$ " M coupling supplied and screw them into the $\frac{1}{2}$ " F coupling.
- For .E versions: seal with teflon the handshower bracket thread and connect it to the sleeve on the panel right side.
- Screw the swivel nut of flexible pipe into $\frac{1}{2}$ " M coupling, checking that pipe stand in vertical position.
- Close stop-tap handle and open water supply to check connection tightness.
- Place shower panel onto frame and tighten it using the screws supplied (removed before, see item 1).

