

Sikome 63

Product code : **SI63**

Draft revision : **20190612125000**

External dimensions : **63" x 31" x 28" [160,0 cm x 78,7 cm x 71,1 cm]**

Series : **freestanding**

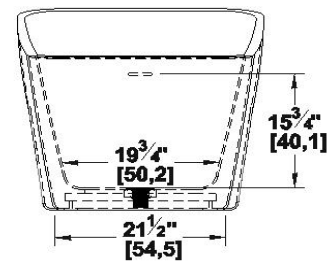
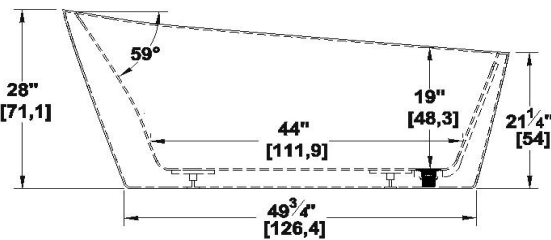
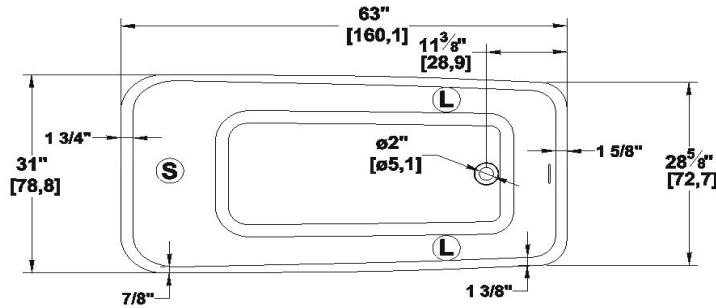
Seats : **1**

Lumbar support : **yes**

Arm rests : **no**

Low-profile available : **no**

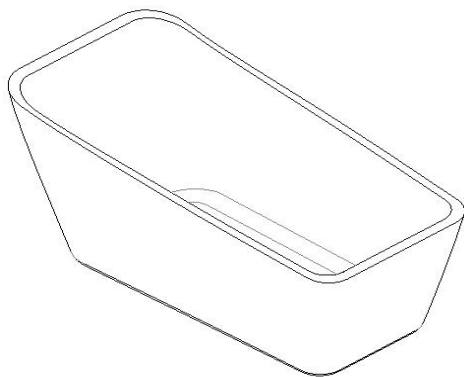
Draft and specs



Specifications	
Capacity :	58,5 IMP Gal. / 76,3 US Gal. / 265,9 liters
AeroMassage™ :	40 Easy Clean™ air jets
Super AeroMassage™ :	unavailable
Comfort Air™ :	unavailable
Characteristics :	One-piece freestanding bath

Remarks
*all measures have a precision of ± 1/4" (0,63cm)
*internal dimensions taken at 4" (10cm) from bath bottom
*capacity is measured by filling the soaker to 1-1/2" under the overflow

Options and installation



Legend			
(S)	Blower	(L)	Chromotherapy light
(P1)	Pump	(P2)	Grab bar
(C)	Keypad		
Recommended faucets drilling location*			
Deck cut-out line :			

Available models	
Model	Availability
Soaker alone	✓
Comfort Air™	
AeroMassage™	✓
Super AeroMassage™	
Nano Sens™	

Additional(s) note(s) :

The overflow is factory installed, the drain is included but not installed. When ordered with AeroMassage, blower must be remote mounted. If system, delivered with keypad not installed and remote control is included.

Available recommended options
Front skirt :
Recommended drain : <i>incl. INF114 (chrome finish)</i>
Tile flanges : <i>unavailable</i>
Floating remote control : <i>included if ordered with system</i>
Integrated linear overflow : <i>OCE114 (chrome finish)</i>

*It is possible to install the faucets elsewhere on the product. The installer must verify that there are no piping or wires before drilling.

IMPORTANT NOTE : Specifications, dimensions and models are subject to change.

Visit our website <http://www.oceania-attitude.com> to access up-to-date dimensions and informations. In all cases, information on the website is the most up-to-date. Dimensions may vary slightly. To ensure proper fit, measurements must be taken on the product directly.

Head office

591, avenue des Entreprises
Thetford Mines, Quebec
CANADA G6H 4B2

Phone numbers

No-charge : 1-877-332-4224
Fax : 1-866-460-4334

Internet

Web : <http://www.oceania-attitude.com>
Email : info@oceaniabaths.com