

Urbania 6031 R-SFLR - Right hand drain, 3 Skirts (Front, Left and Right)

Product code : **UR6031R-SFLR**

Draft revision : **20170825115000**

External dimensions : **60" x 31" x 17,5" [152,4 cm x 78,7 cm x 44,5 cm]**

Series : **freestand**

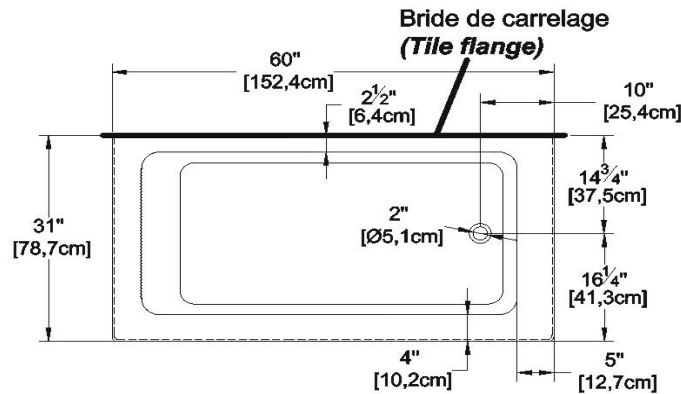
Seats : **1**

Lumbar support : **no**

Arm rests : **no**

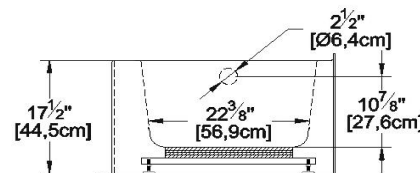
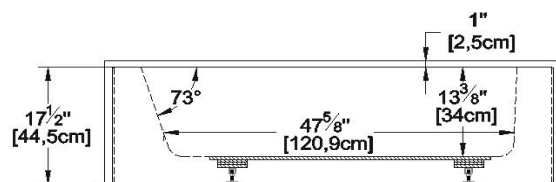
Low-profile available : **no**

Draft and specs

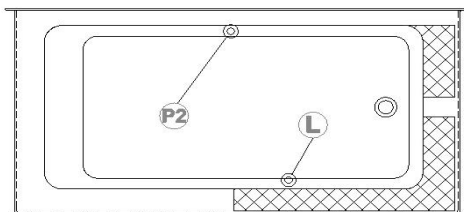


Specifications	
Capacity :	28,5 IMP Gal. / 37,2 US Gal. / 129,6 liters
AeroMassage™ :	unavailable
Super AeroMassage™ :	unavailable
Dynamic Turbo™ :	unavailable
Comfort Air™ :	unavailable
Characteristics :	3 integrated skirts

Remarks	
*all measures have a precision of ± 1/4" (0,63cm)	
*internal dimensions taken at 4" (10cm) from bath bottom	
*capacity is measured by filling the soaker to 1-1/2" under the overflow	



Options and installation



Legend			
(S)	Blower	(L)	Chromotherapy light
(P1)	Pump	(P2)	Grab bar
(C)	Keypad		
Recommended faucets drilling location*			
Deck cut-out line - - - - -			

Available models	
Model	Availability
Soaker alone	✓
Comfort Air™	
AeroMassage™	
Super AeroMassage™	
Dynamic Turbo™ (not available in the U.S.)	
Dynamic Turbo™ + AeroMassage™	
Dynamic Turbo™ + Super AeroMassage™	

Additional(s) note(s) :

Integrated acrylic tile flanges. Available in white only. Only one handle can be factory installed.

Available recommended options	
Front skirt :	
Recommended drain :	WOCO14 (chrome finish)
Tile flanges :	Included on sides without skirt
Remote control** :	unavailable
**Floating	

*It is possible to install the faucets elsewhere on the product. The installer must verify that there are no piping or wires before drilling.

IMPORTANT NOTE : Specifications, dimensions and models are subject to change.

Visit our website <http://www.oceania-attitude.com> to access up-to-date dimensions and informations. In all cases, information on the website is the most up-to-date. Dimensions may vary slightly. To ensure proper fit, measurements must be taken on the product directly.

Head office

591, avenue des Entreprises
Thetford Mines, Quebec
CANADA G6H 4B2

Phone numbers

No-charge : 1-877-332-4224
Fax : 1-866-460-4334

Internet

Web : <http://www.oceania-attitude.com>
Email : info@oceaniabaths.com