

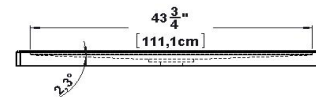
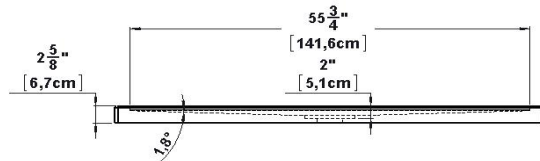
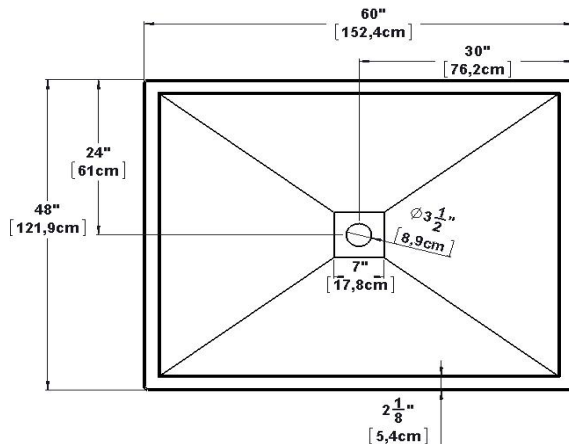
**Base 60x48 square drain cover** Product code : **SB6048**

Draft revision : 20140710150000

External dimensions : **60" x 48" x 2,625" [152,4 cm x 121,9 cm x 6,7 cm]**

Material : **acrylic**

**Draft and specs**

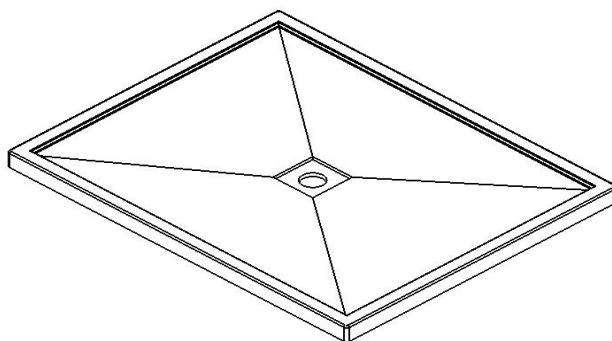


*\*slope at the floor of the shower may not be represented*

Specifications
Textured floor : <b>no</b>
Footrest : <b>no</b>
Characteristics :

Remarks
<i>*all measures have a precision of ± 1/4" (0,63cm)</i>
<i>*if a measure is present on one side only, part is symmetrical</i>

**Options and installation**



Available options
shower hood : <i>n/a</i>
shower door : <b>PB148 PB160 PB26048 PBHG60 PBHG48 PBHG60R48 PBSD60 PBSD60R48 PBSD60R248</b>

*Additional note(s) :*

**Integrated tile flanges not shown. To be specified when ordering. Aluminium tile flanges can be supplied as an option.**

**IMPORTANT NOTE :**  
Specifications, dimensions and models are subject to change.  
Visit our website <http://www.oceania-attitude.com> to access up-to-date dimensions and informations. In all cases, information on the website is the most up-to-date.

*\*default hardware and decorative lines positions are approximatives*