

Pure 6632 (right hand drain)

Product code : **PU6632R**

Draft revision : **20191222122000**

External dimensions : **66" x 32" x 18" [167,6 cm x 81,3 cm x 45,7 cm]**

Series : **Alcove**

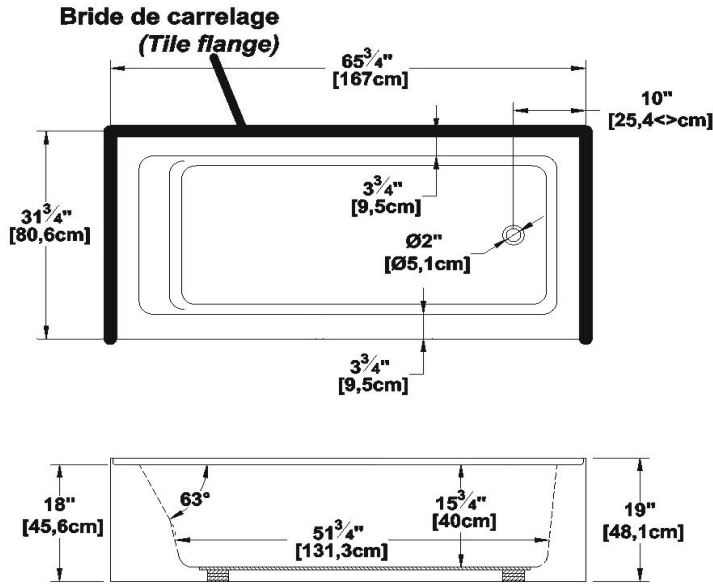
Seats : **1**

Lowbar support : **yes**

Arm rests : **no**

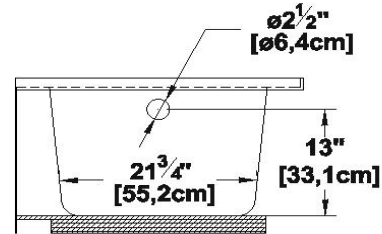
Low-profile available : **no**

Draft and specs

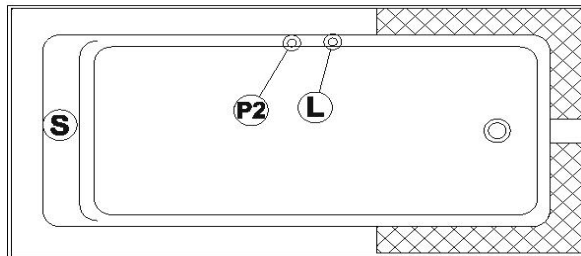


Specifications	
Capacity :	41 IMP Gal. / 53,5 US Gal. / 186,4 liters
AeroMassage™ :	43 Easy Clean™ air jets
Super AeroMassage™ :	AeroMassage™ + 12 Easy Clean™ air jets
Comfort Air™ :	43 Easy Clean™ air jets
Characteristics :	Integrated front skirt

Remarks	
*all measures have a precision of ± 1/4" (0,63cm)	
*internal dimensions taken at 4" (10cm) from bath bottom	
*capacity is measured by filling the soaker to 1-1/2" under the overflow	



Options and installation



Legend			
(S)	Blower	(L)	Chromotherapy light
(P1)	Pump	(P2)	Grab bar
(C)	Keypad		
(X)	Recommended faucets drilling location*		
Deck cut-out line			-----

Available models	
Model	Availability
Soaker alone	✓
Comfort Air™	✓
AeroMassage™	✓
Super AeroMassage™	✓
Nano Sens™	✓

Additional(s) note(s) :

Integrated acrylic tile flanges. If system, delivered with keypad not installed. Only one handle can be factory installed.

Available recommended options	
Front skirt :	
Recommended drain :	WOCO14 (chrome finish)
Tile flanges :	integrated
Floating remote control :	available
Integrated linear overflow :	OCE114 (chrome finish)

*It is possible to install the faucets elsewhere on the product. The installer must verify that there are no piping or wires before drilling.

IMPORTANT NOTE : Specifications, dimensions and models are subject to change.

Visit our website <http://www.oceania-attitude.com> to access up-to-date dimensions and informations. In all cases, information on the website is the most up-to-date. Dimensions may vary slightly. To ensure proper fit, measurements must be taken on the product directly.

Head office

591, avenue des Entreprises
 Thetford Mines, Quebec
 CANADA G6H 4B2

Phone numbers

No-charge : 1-877-332-4224
 Fax : 1-866-460-4334

Internet

Web : <http://www.oceania-attitude.com>
 Email : info@oceaniabaths.com