

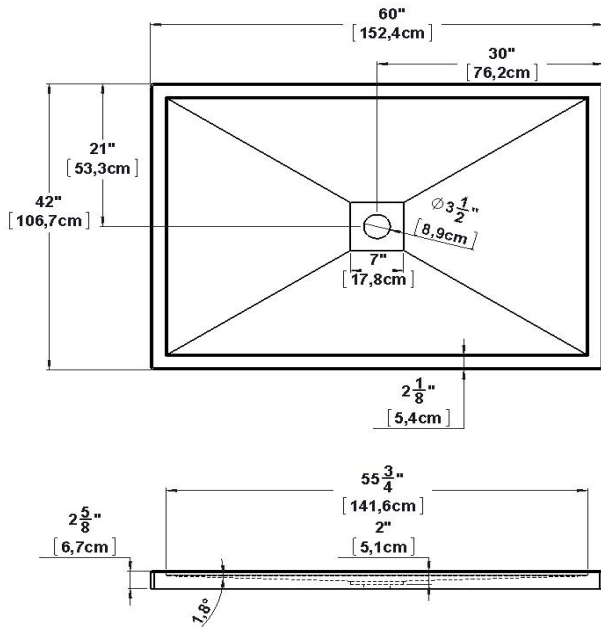
**Base 60x42 square drain cover** Product code : **SB6042**

Draft revision : 20140710150000

External dimensions : **60" x 42" x 2,625" [152,4 cm x 106,7 cm x 6,7 cm]**

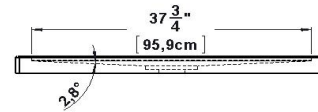
Material : **acrylic**

**Draft and specs**



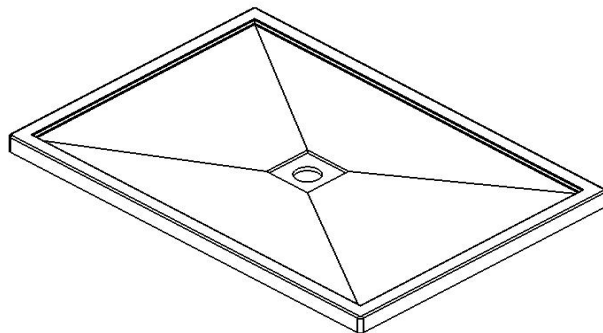
Specifications
Textured floor : <b>no</b>
Footrest : <b>no</b>
Characteristics :

Remarks
*all measures have a precision of $\pm 1/4"$ (0,63cm)
*if a measure is present on one side only, part is symmetrical



\*slope at the floor of the shower may not be represented

**Options and installation**



Available options
shower hood : <i>n/a</i>
shower door : <b>PB142 PB160 PB26042 PBHG60 PBHG60R42 PBSD60 PBSD60R42 PBSD60R242</b>

Additional note(s) :

Integrated tile flanges not shown. To be specified when ordering. Aluminium tile flanges can be supplied as an option.

**IMPORTANT NOTE :**  
 Specifications, dimensions and models are subject to change.  
 Visit our website <http://www.oceania-attitude.com> to access up-to-date dimensions and informations. In all cases, information on the website is the most up-to-date.

\*default hardware and decorative lines positions are approximatives