

## Sleek shower seat

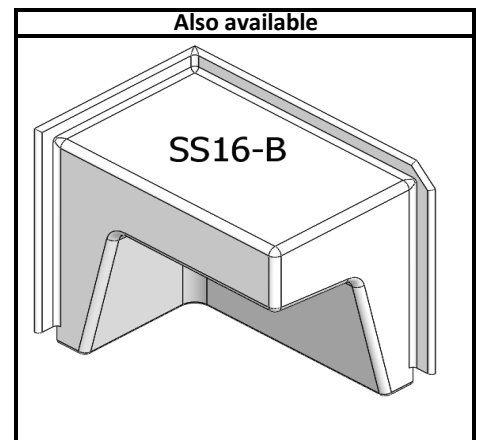
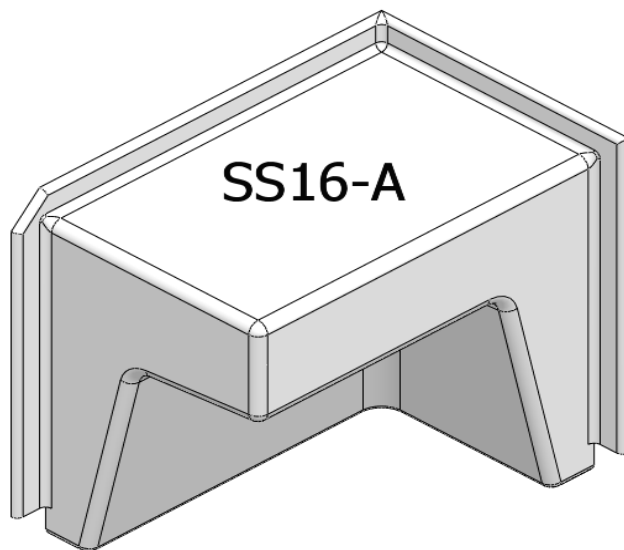
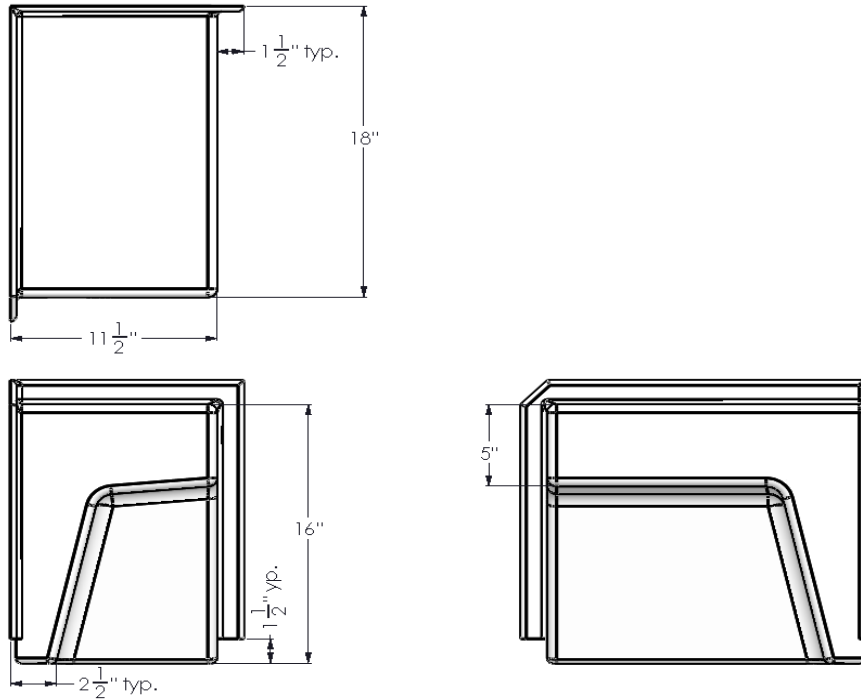
Product code : **SS16-A**

Draft revision : **20170322133500**

External dimensions : **18" x 11,5" x 16"** [45,7 cm x 29,2 cm x 40,6 cm]

Material : **acrylic**

### Draft and specs



#### Additional note(s) :

Integrated acrylic tile flanges. All measurements have a precision of  $\pm 1/4"$  (0,63cm). If a measurement is present on one side only, part is symmetrical.

#### IMPORTANT NOTE :

Specifications, dimensions and models are subject to change.  
Visit our website <http://www.oceania-attitude.com> to access up-to-date dimensions and informations. In all cases, information on the website is the most up-to-date.

#### Head office

591, avenue des Entreprises  
Thetford Mines, Quebec  
CANADA G6H 4B2

#### Contact numbers

Phone : 1-877-332-4224  
Fax : 1-866-460-4334

#### Internet

Web : <http://www.oceania-attitude.com>  
Email : [info@oceaniabaths.com](mailto:info@oceaniabaths.com)