

**Base 60x30 (right hand drain)**

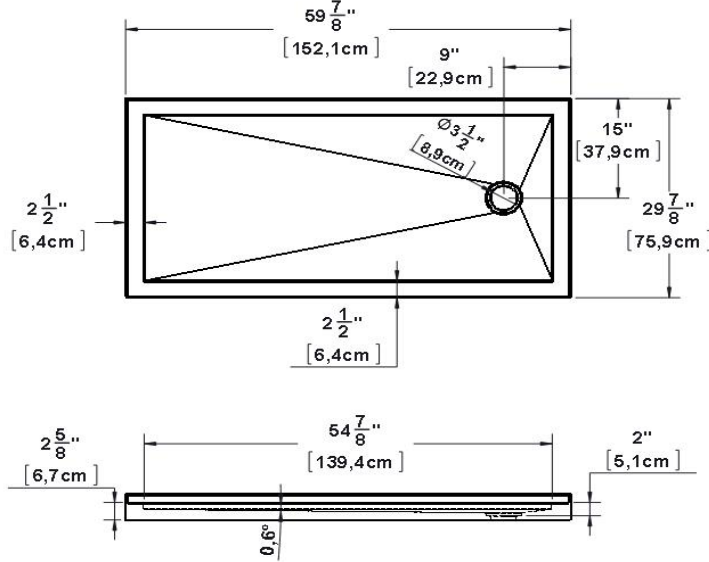
Product code : **BT60R30**

Draft revision : **20181014092000**

Nominal dimensions : **60" x 30" x 2,625" [152,4 cm x 76,2 cm x 6,7 cm]**

Material : **acrylic**

**Draft and specs**

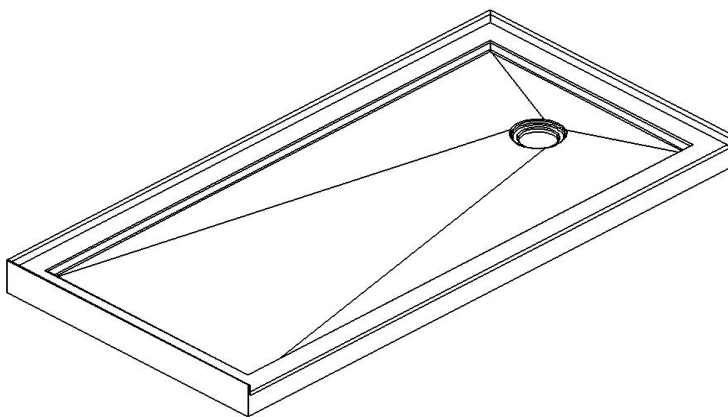


**Specifications**

Textured floor : **yes**  
Footrest : **no**  
Characteristics : **integrated acrylic flanges**

**Remarks**

All measures have a precision of  $\pm 1/4"$  (0,63cm)  
If a measure is present on one side only, part is symmetrical



**Available options**

Shower seat : **SS16-A, SS16-B**

Shower door : **EKO60 PBSD60**

Additional note(s) :

**IMPORTANT NOTE :**

Specifications, dimensions and models are subject to change.  
Visit our website <http://www.oceania-attitude.com> to access up-to-date dimensions and informations. In all cases, information on the website is the most up-to-date.

Head office

591, avenue des Entreprises  
Thetford Mines, Quebec  
CANADA G6H 4B2

Contact numbers

Phone : 1-877-332-4224  
Fax : 1-866-460-4334

Internet

Web : <http://www.oceania-attitude.com>  
Email : [info@oceaniabaths.com](mailto:info@oceaniabaths.com)